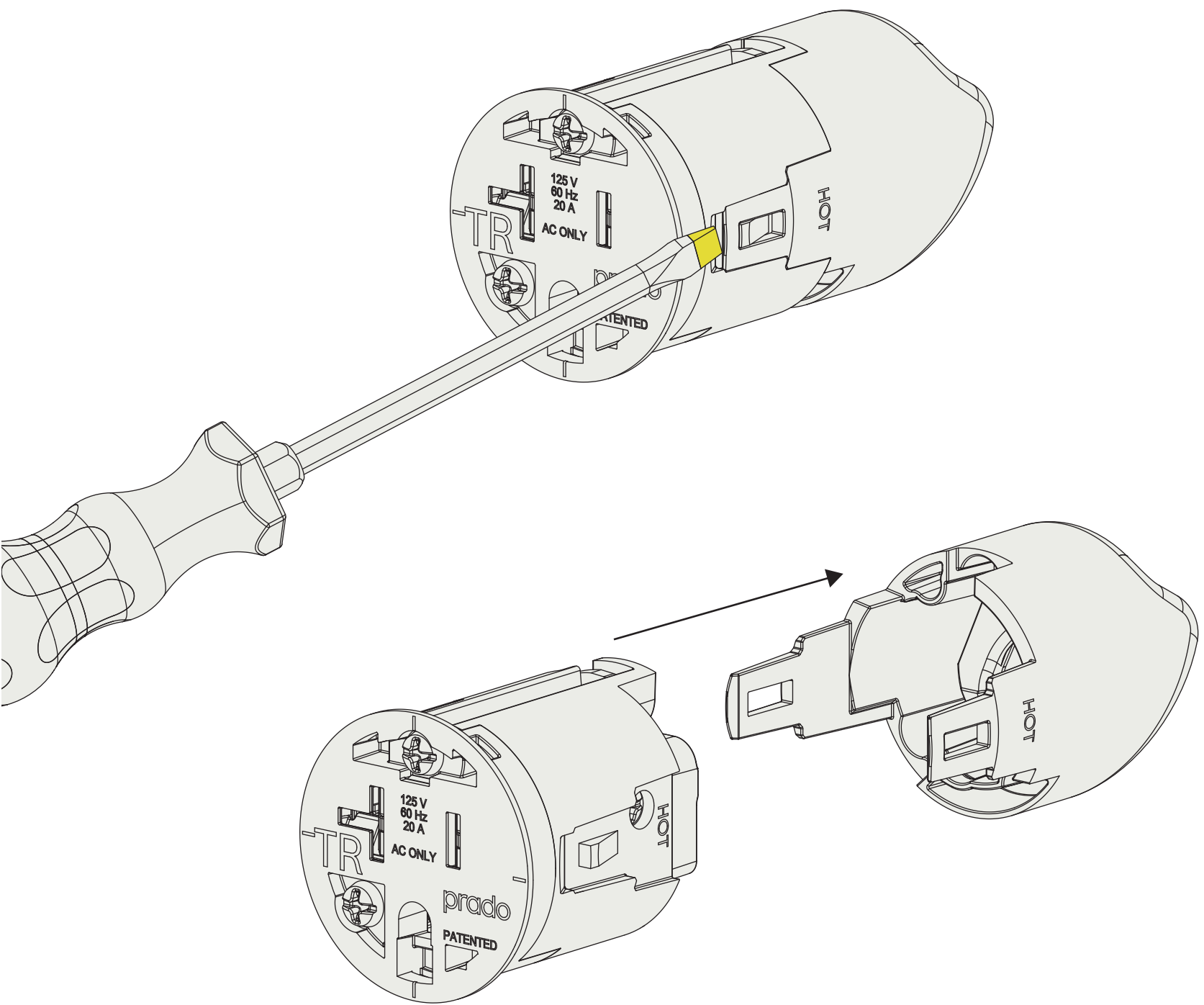


# unifit outlet single

## installation instruction

1



Remove the strain relief.

---

2

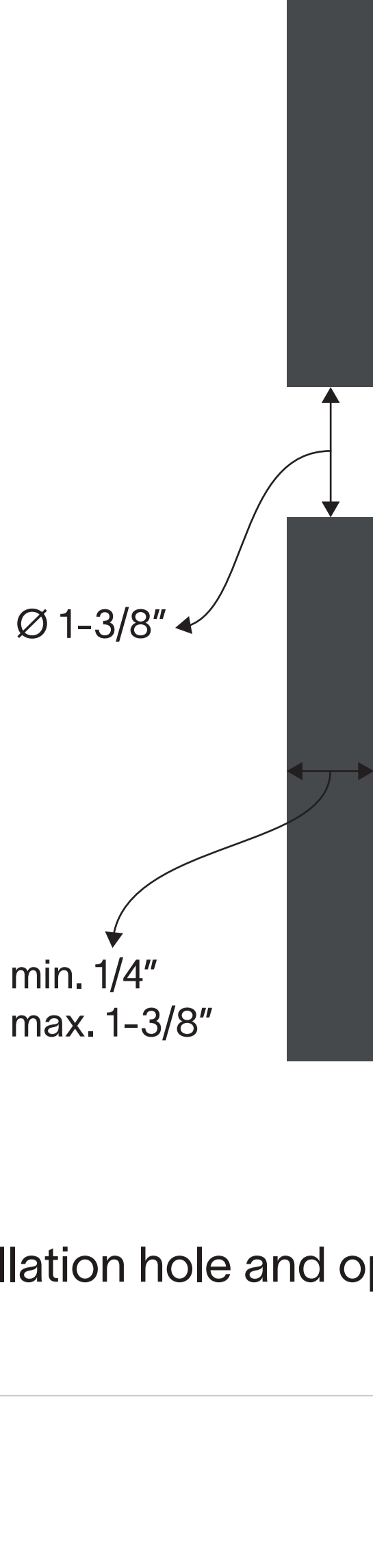
for self contained go to step 3 ([click here](#))

for hardwired - with back box go to step 12 ([click here](#))

for removal go to step 21 ([click here](#))

3

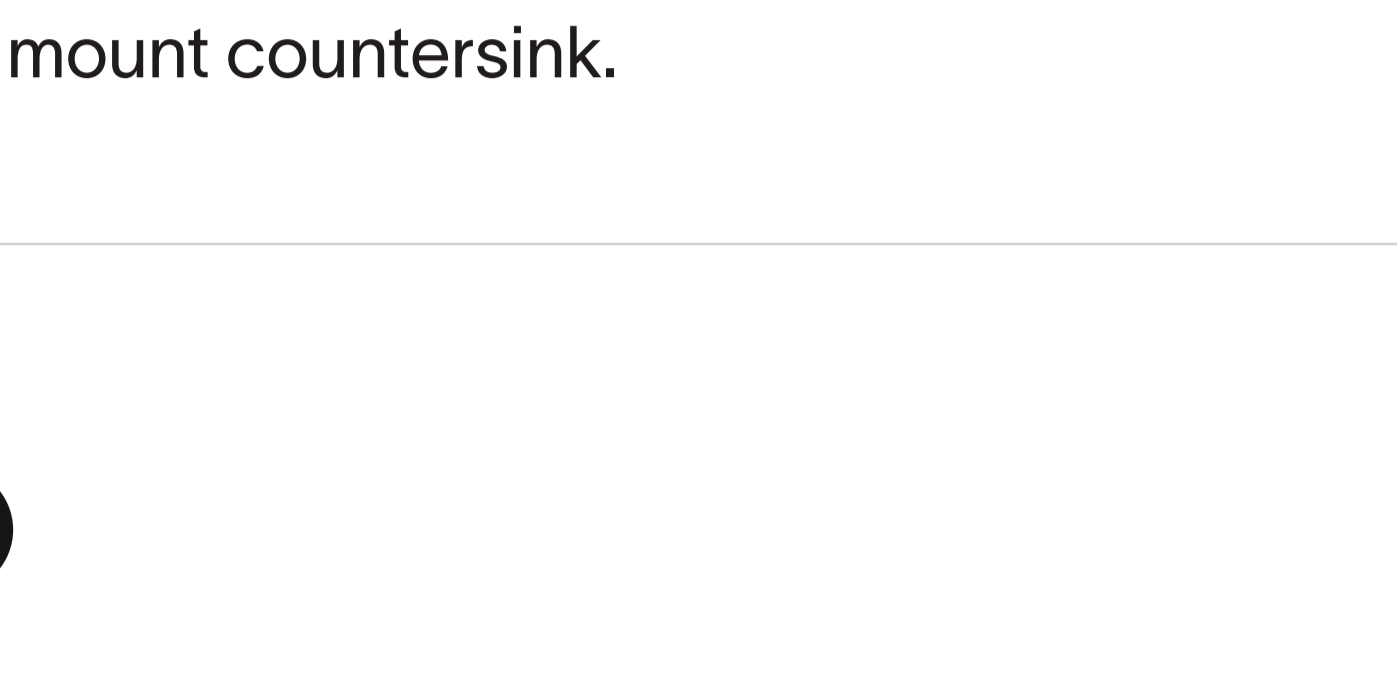
self contained



Drill the installation hole and optional countersink.

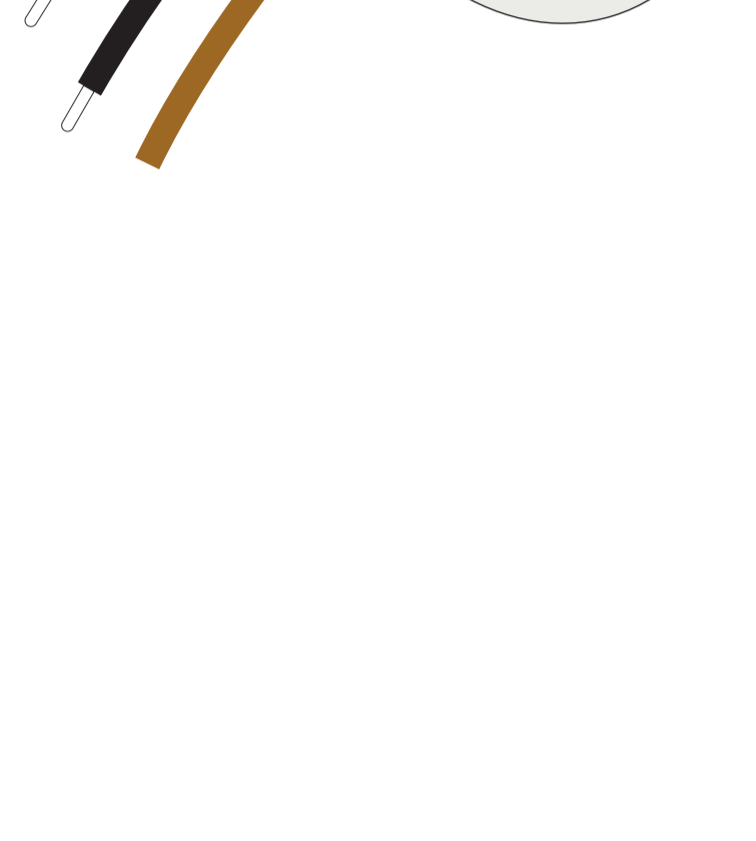
4

optional flush mount countersink



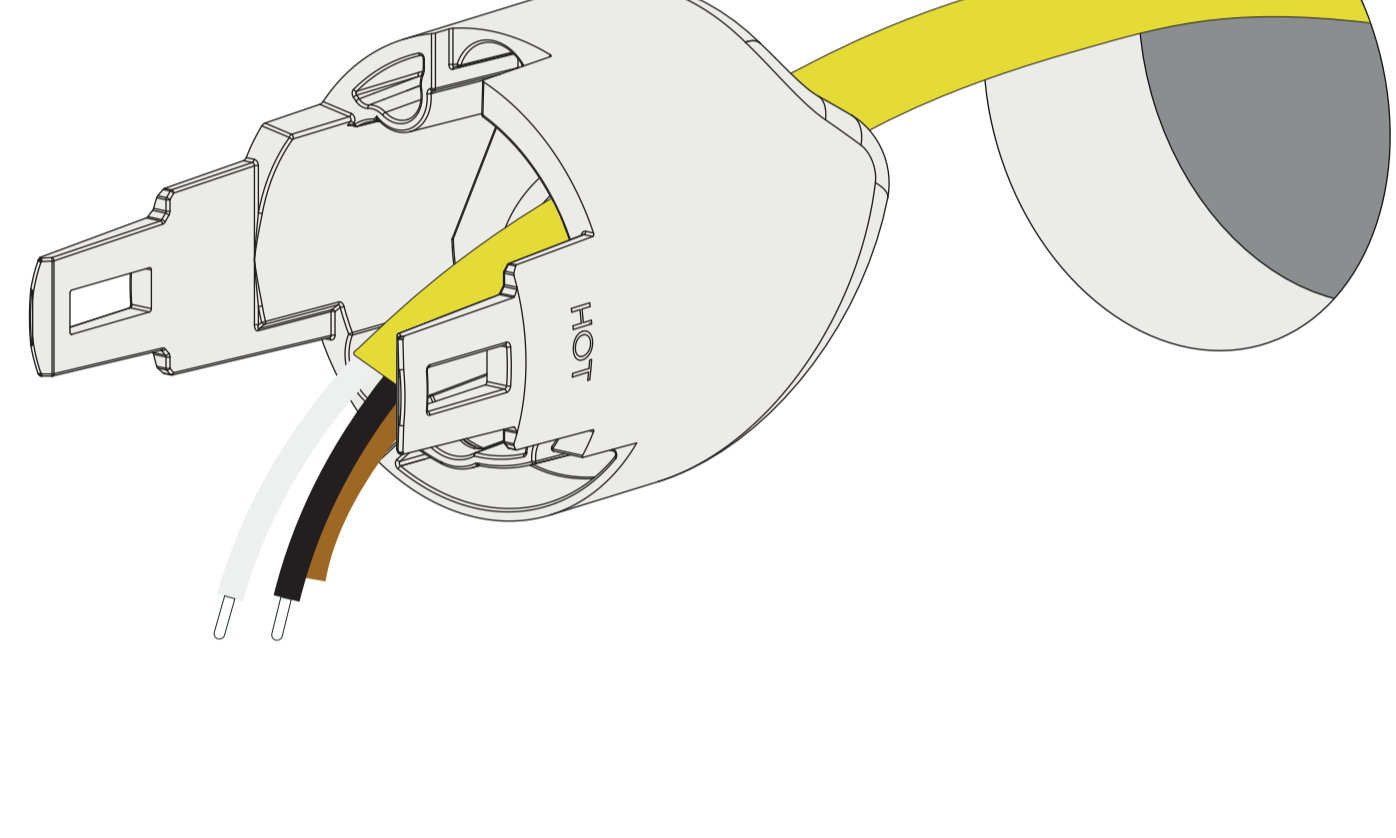
Flush mount countersink.

5



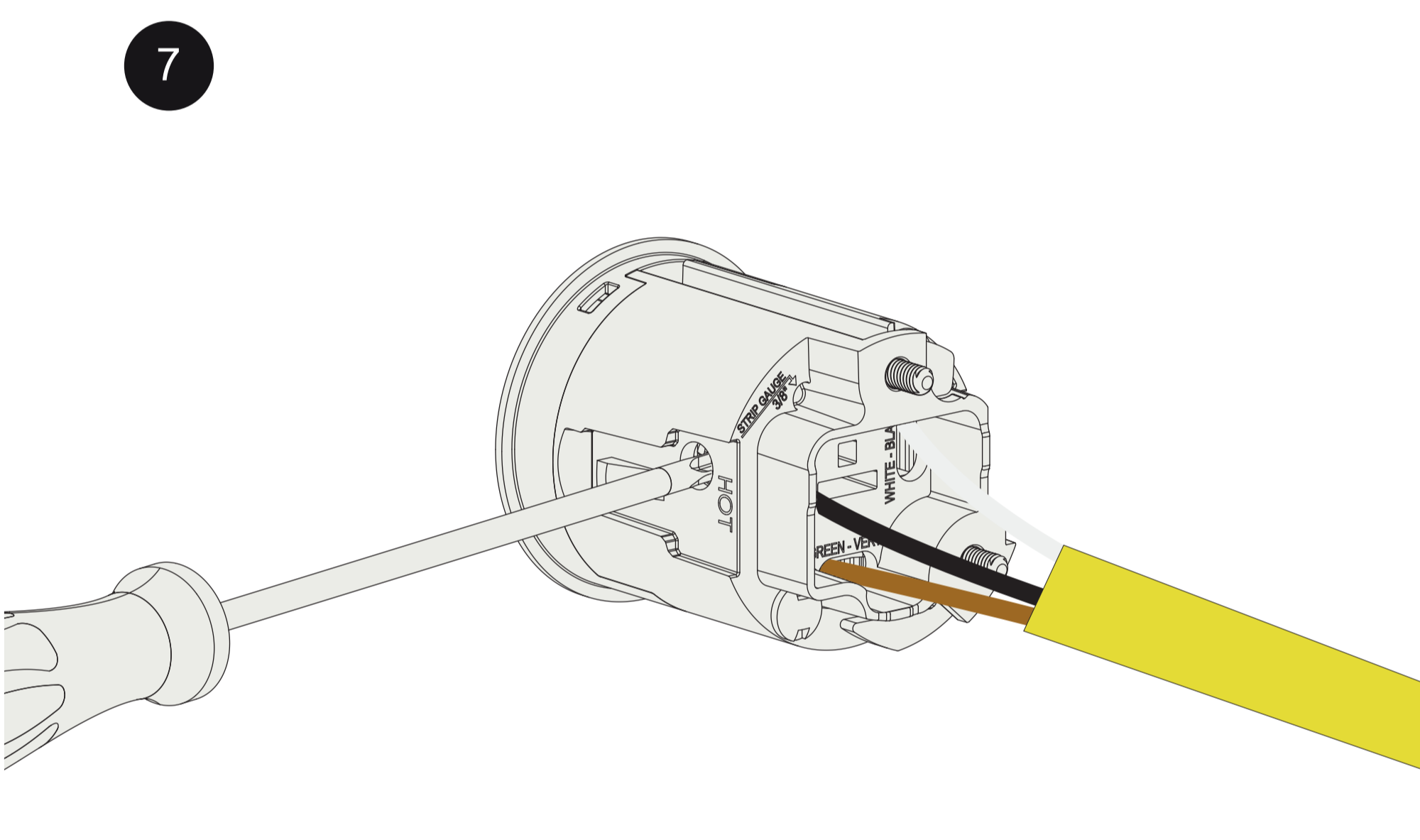
Turn the power off.

6



Slide the strain relief over the cable.

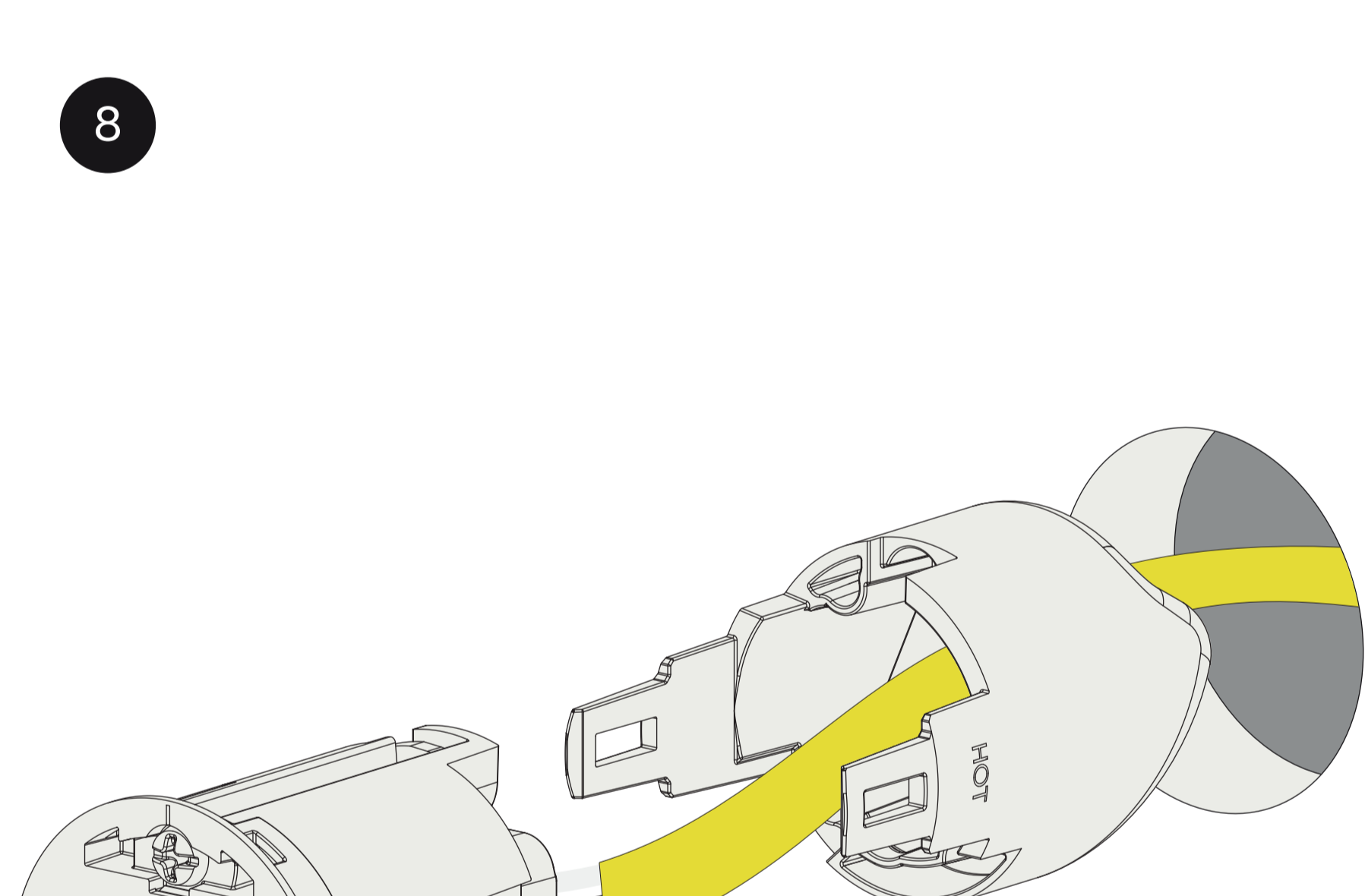
7



Make all necessary connections, make sure correct cable thickness is used:

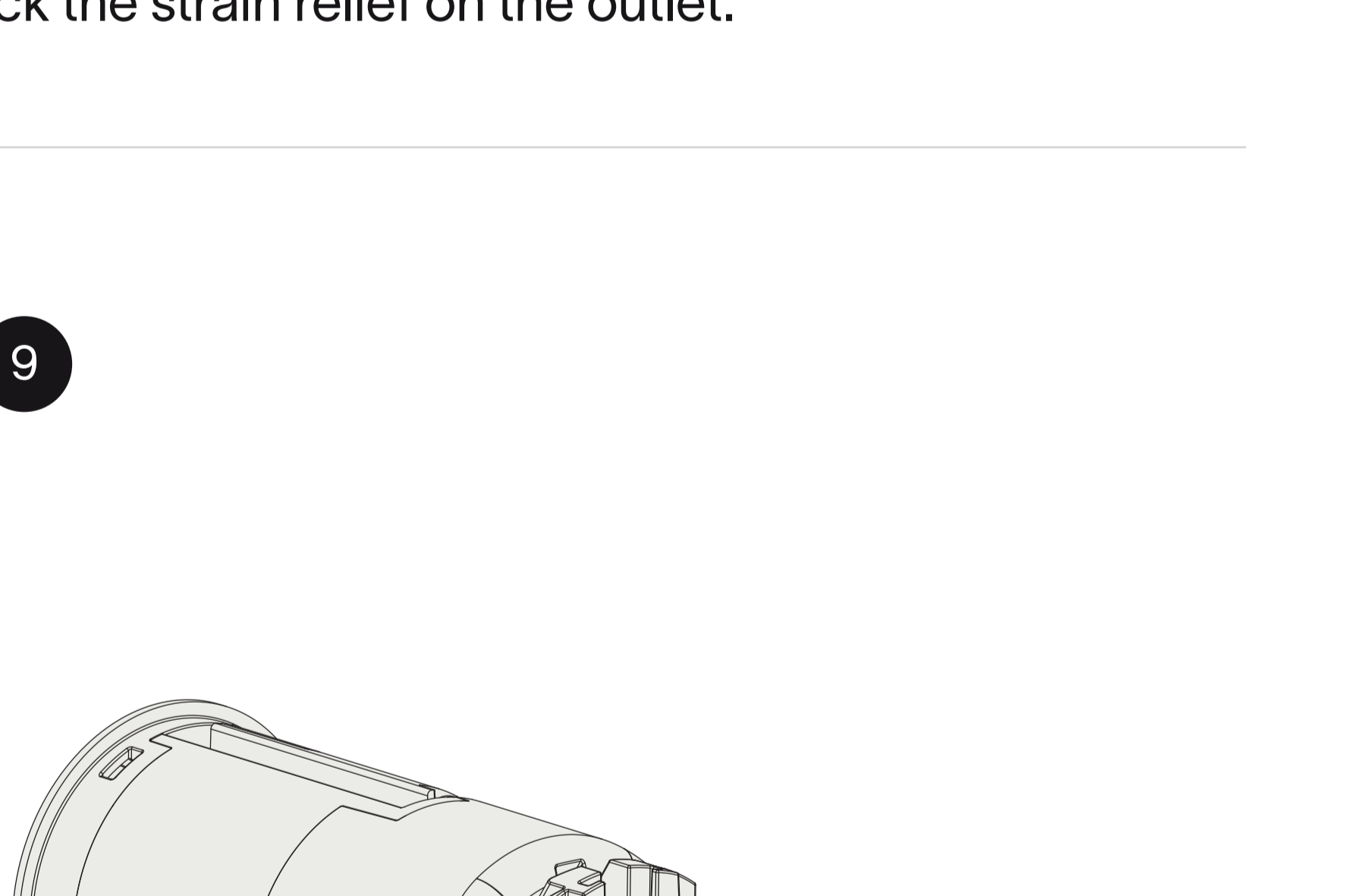
- 15A – 14 AWG
- 20A - 12 AWG

8



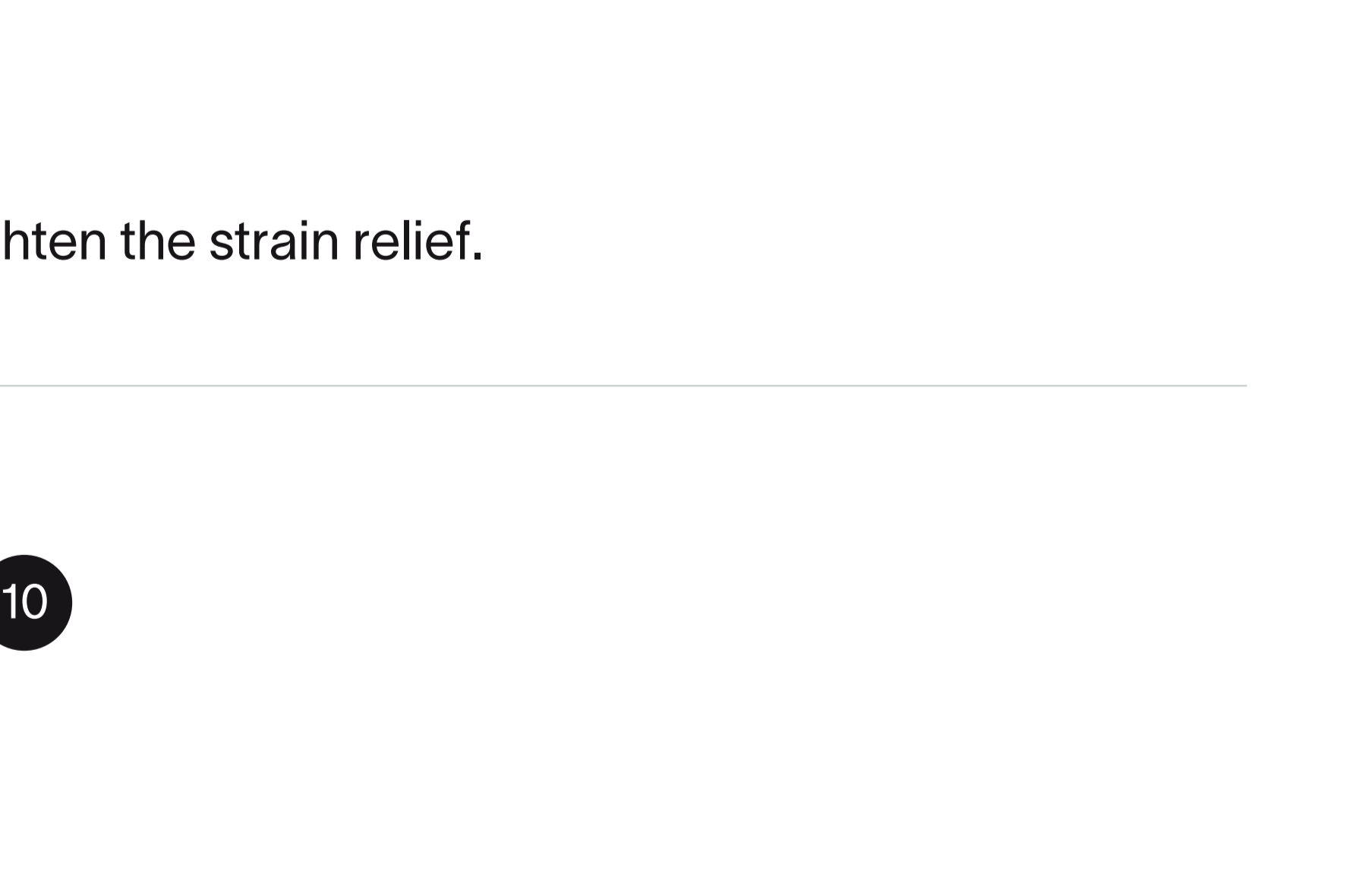
Click the strain relief on the outlet.

9



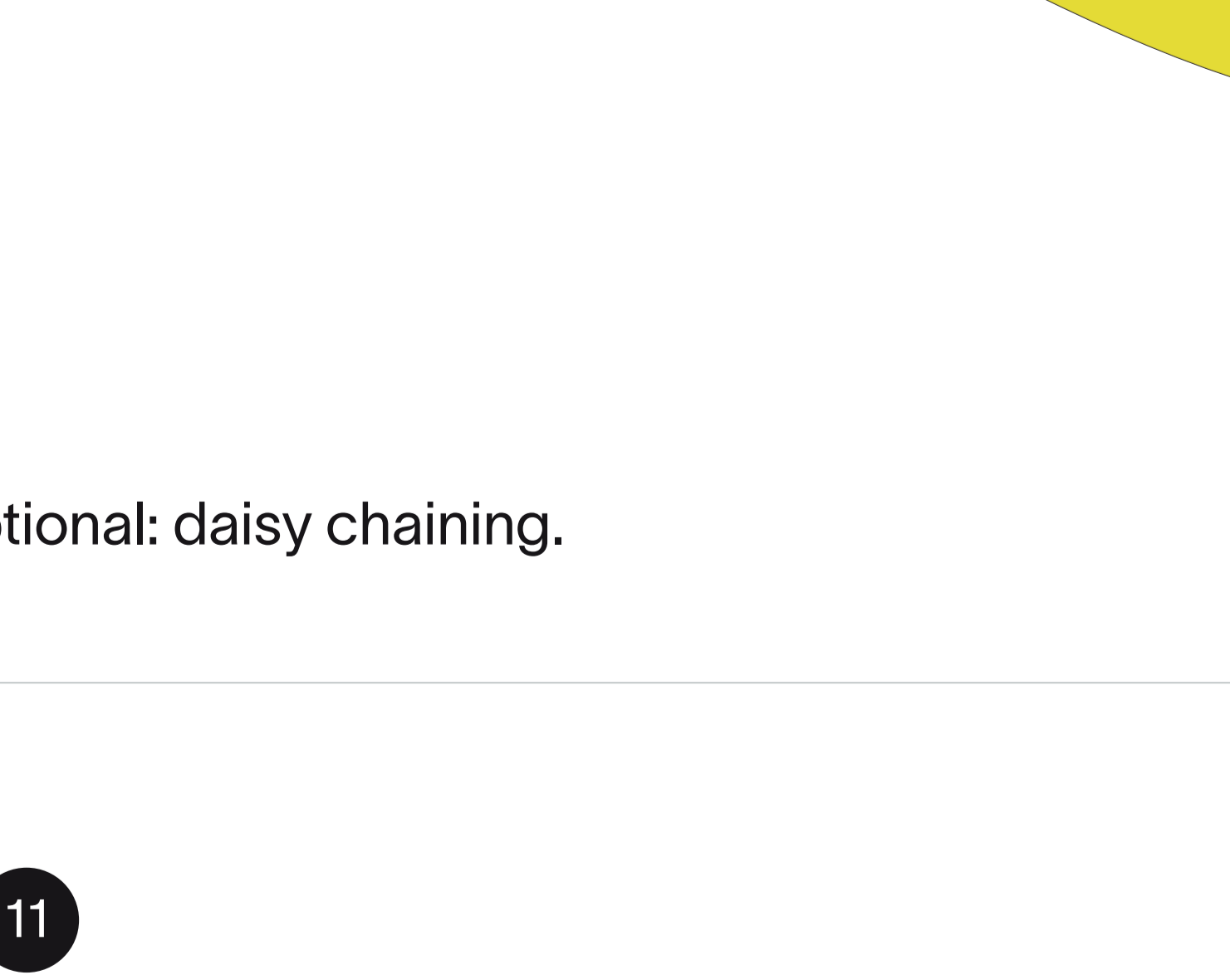
Tighten the strain relief.

10



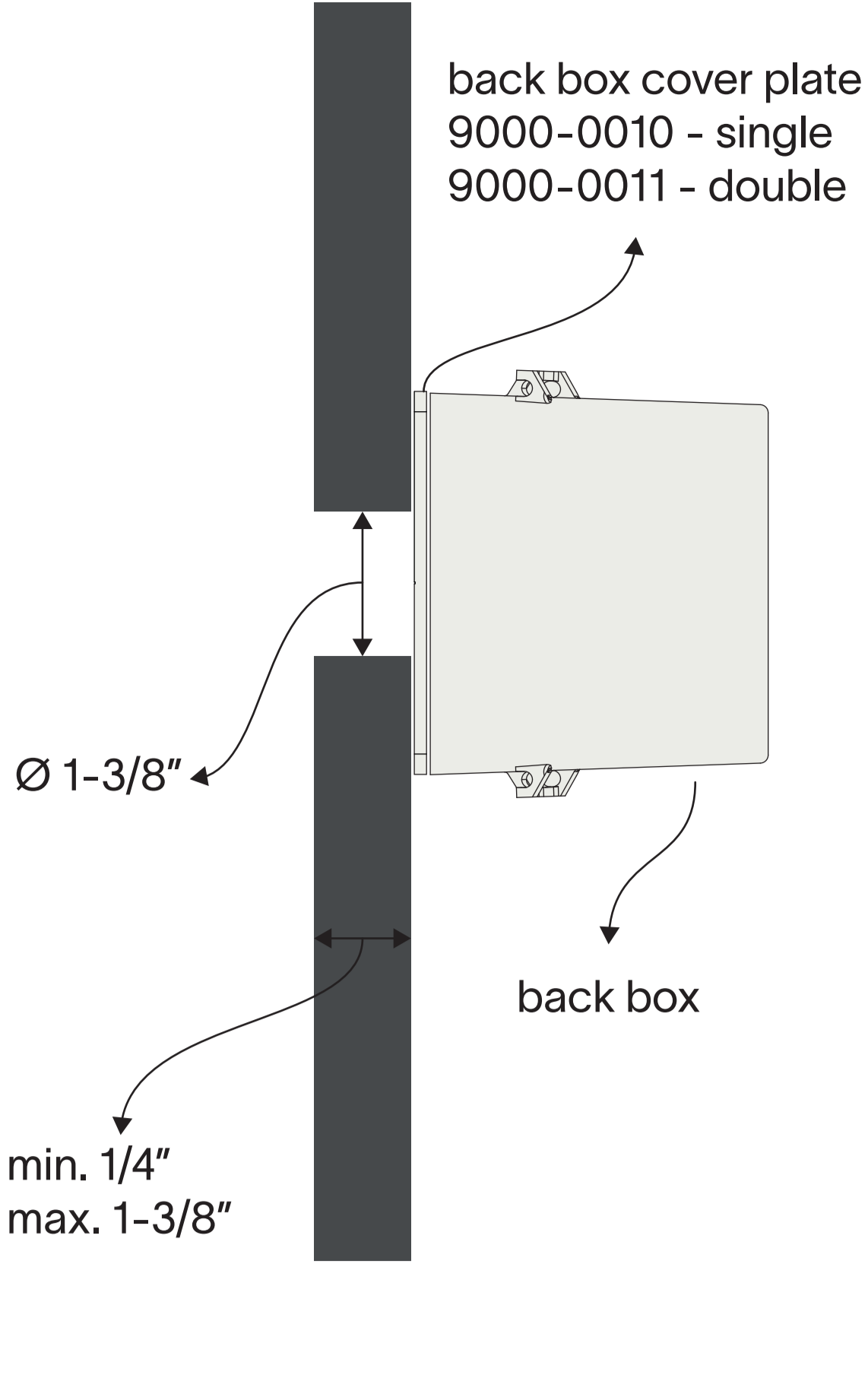
Optional: daisy chaining.

11



Insert the outlet in the hole and go to step 17 [\(click here\)](#)

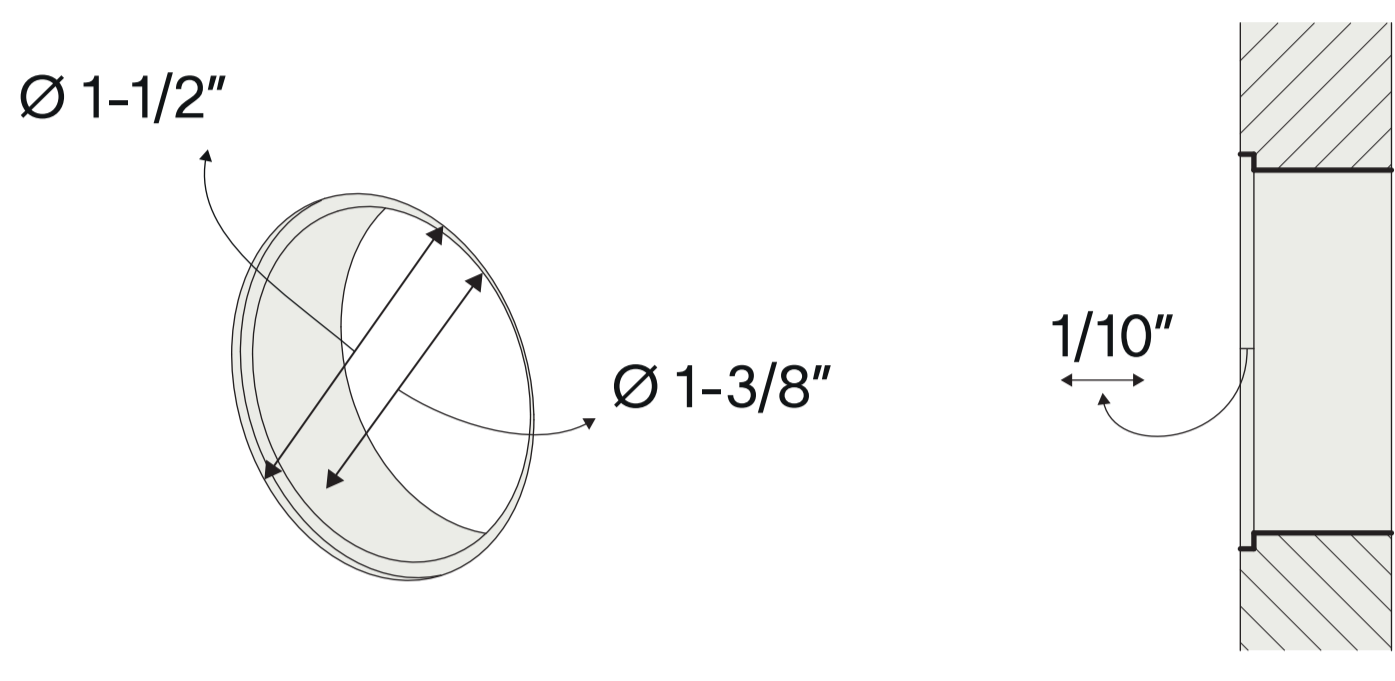
**12** hardwired - with back box



Drill the installation hole and optional countersink.

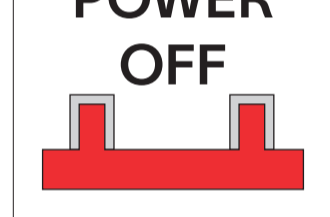
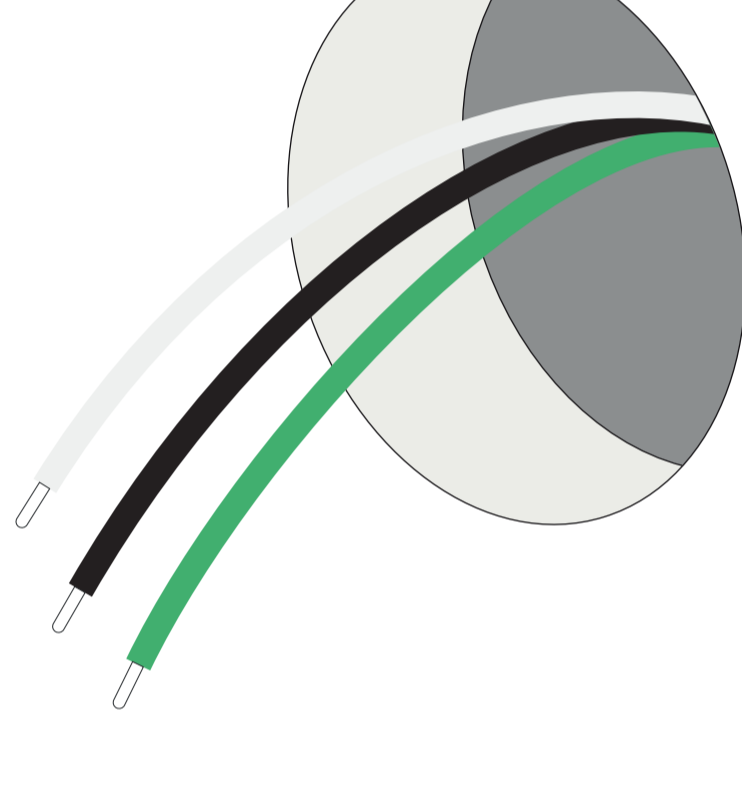
**13**

optional flush mount countersink



Flush mount countersink.

**14**



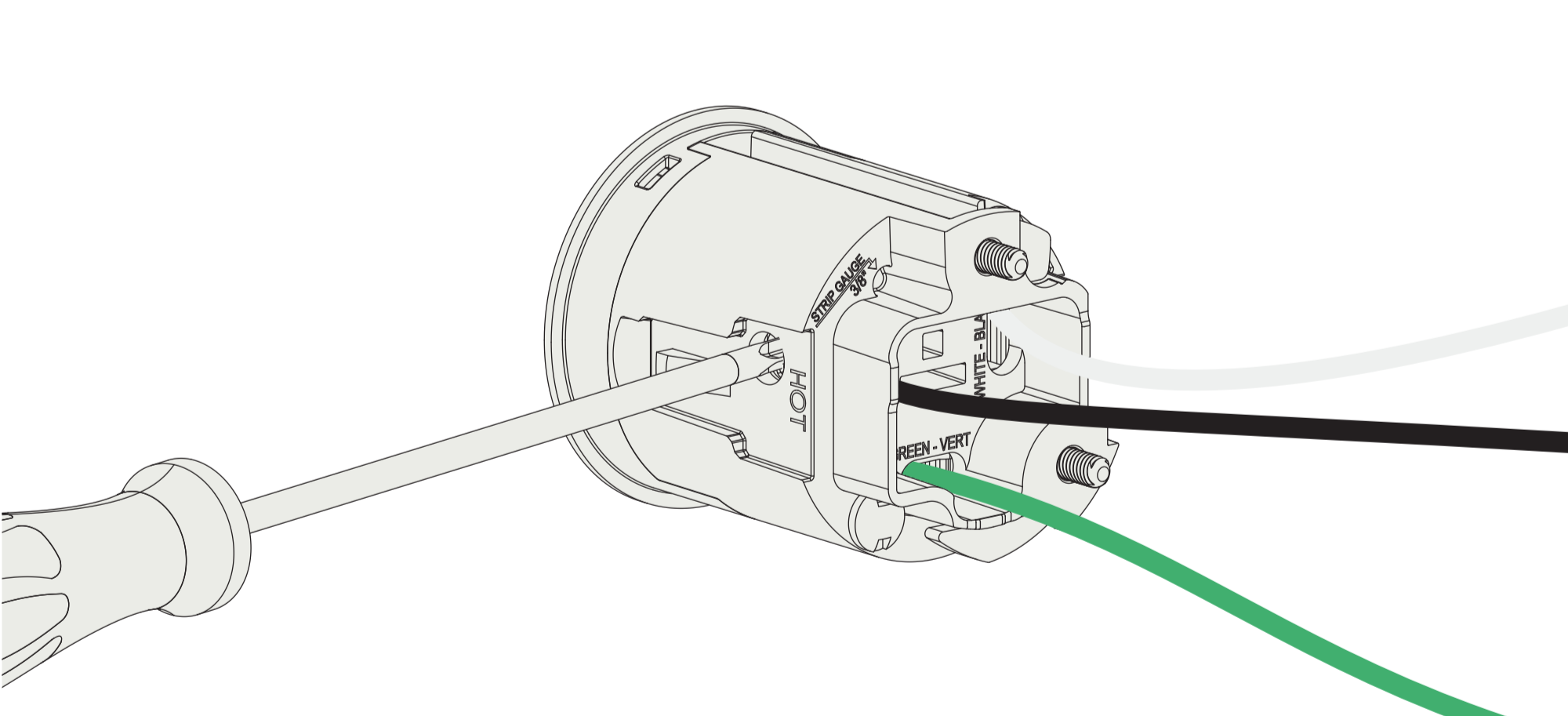
Turn the power off.

The branch circuit wiring that supplies each device consists of a separate cable assembly originating outside the box, or individual sets of conductors in a single raceway, all of which originate outside the box. Other than the connections to a single device, these conductors are not spliced in the box or continued to another device, and no other wiring or raceways enter the box.

For Metal Box Installations, during the electrical installation:

1. Attach the equipment bonding conductor to the metal device box.
2. Secure the branch circuit's equipment grounding wire to the green grounding screw terminal of the electrical outlet.
3. Before installing the substrate, confirm that the green grounding screw remains visible when the receptacle is removed.

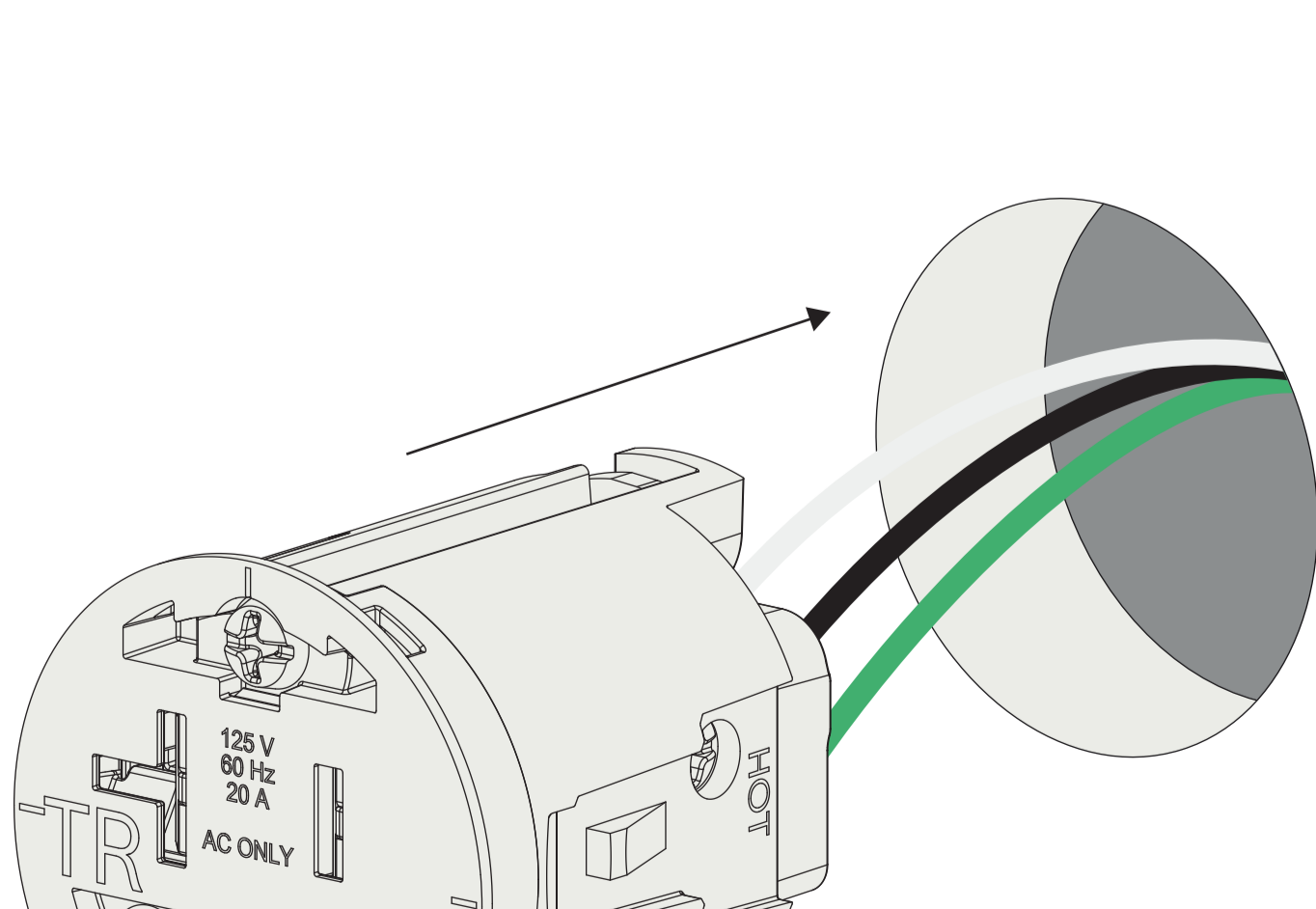
**15**



Make all necessary connections, make sure correct cable thickness is used:

- 15A – 14 AWG
- 20A - 12 AWG

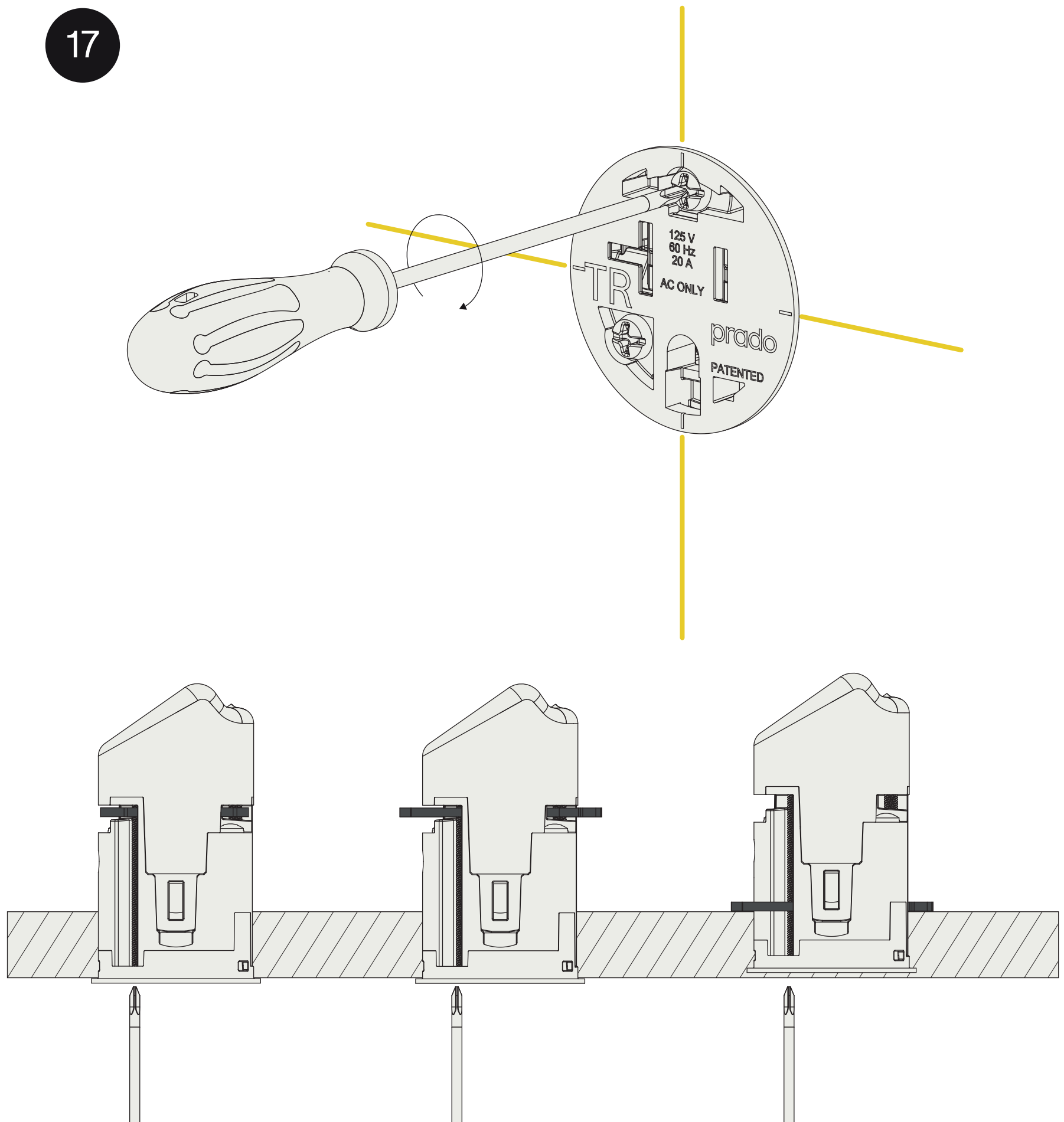
**16**



Insert the outlet in the hole and go to step 17 [\(click here\)](#)

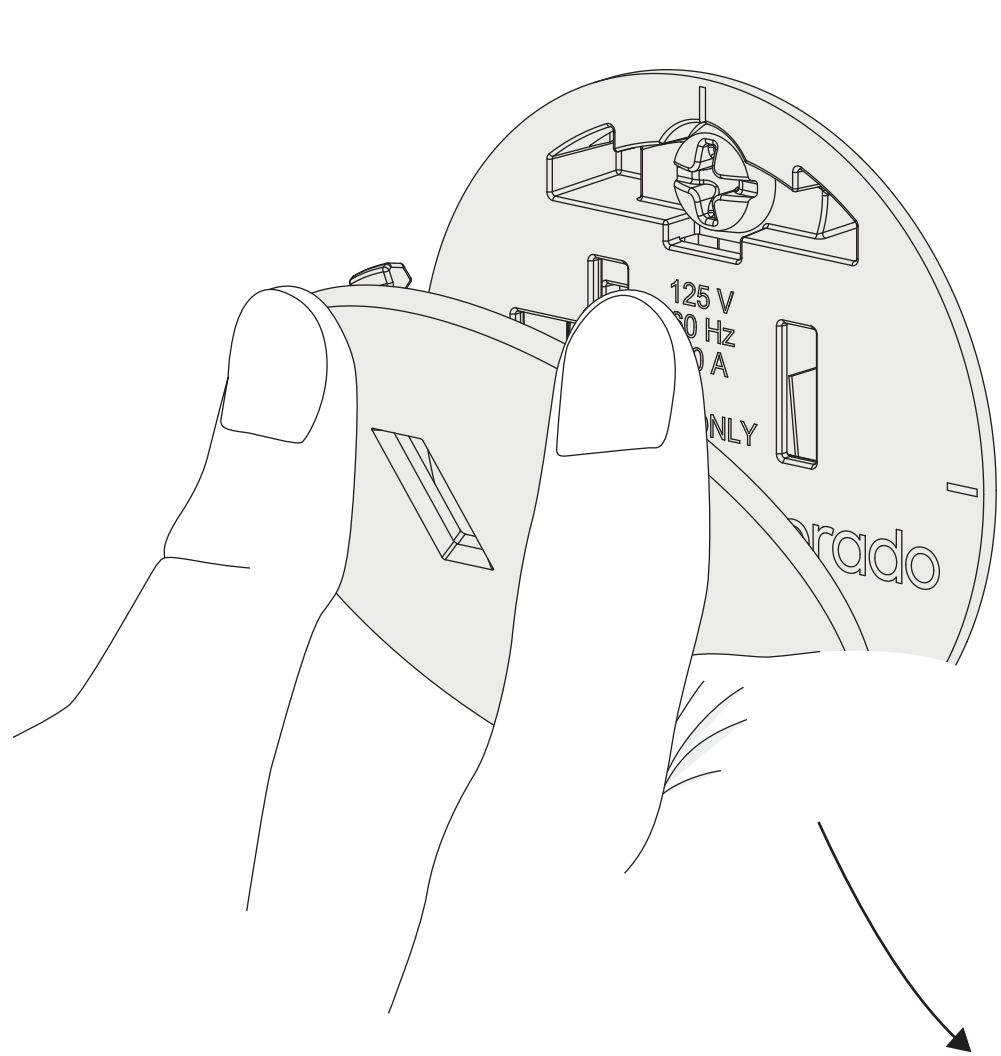


17

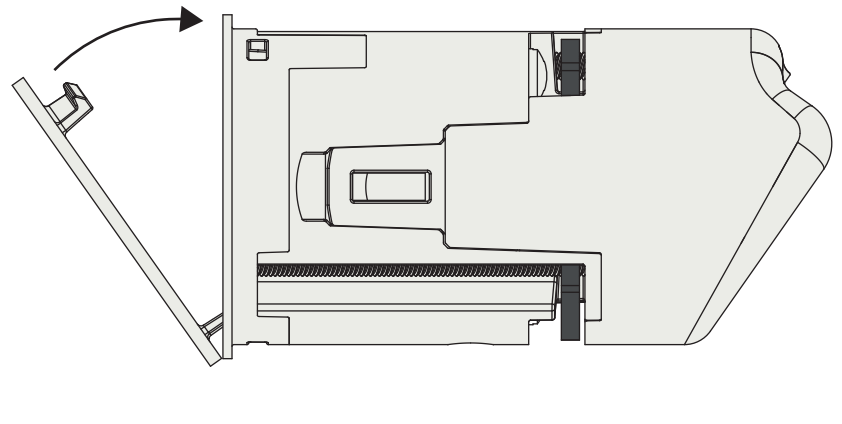


Level the outlet and fixate it by tightening the screws.

18

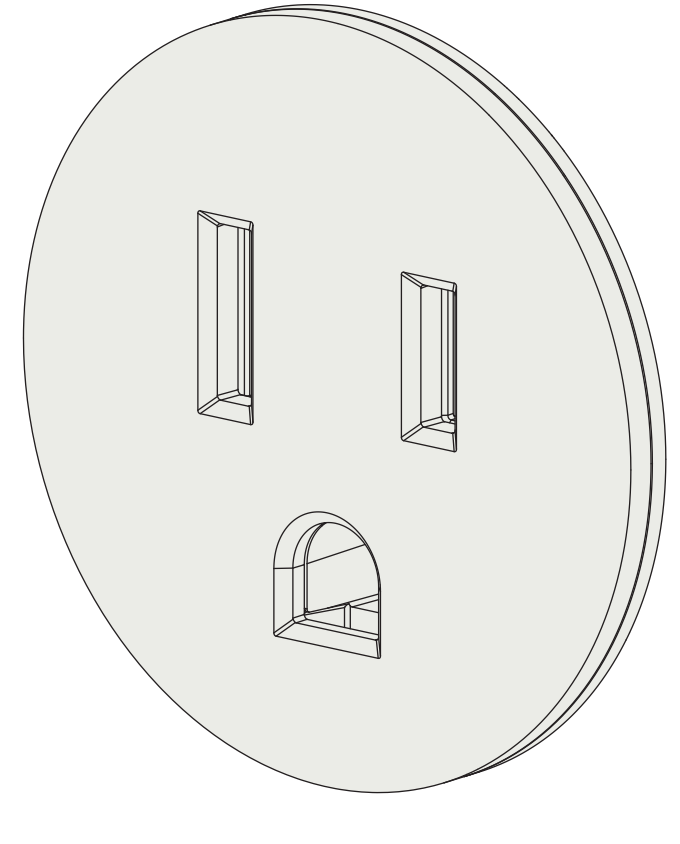


unifit cover plate sold separately

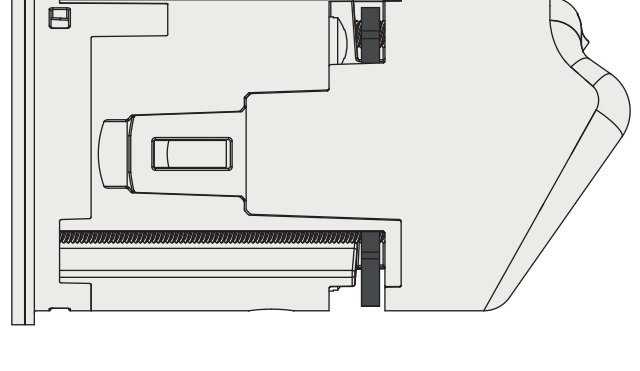


finish	SKU - 15A	SKU - 20A
black	9000-0020	9000-0021
white	9000-0022	9000-0023
sand	9000-0024	9000-0025
clay	9000-0026	9000-0027

19

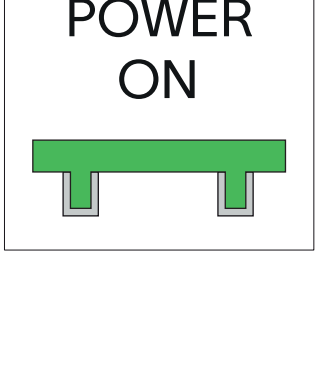
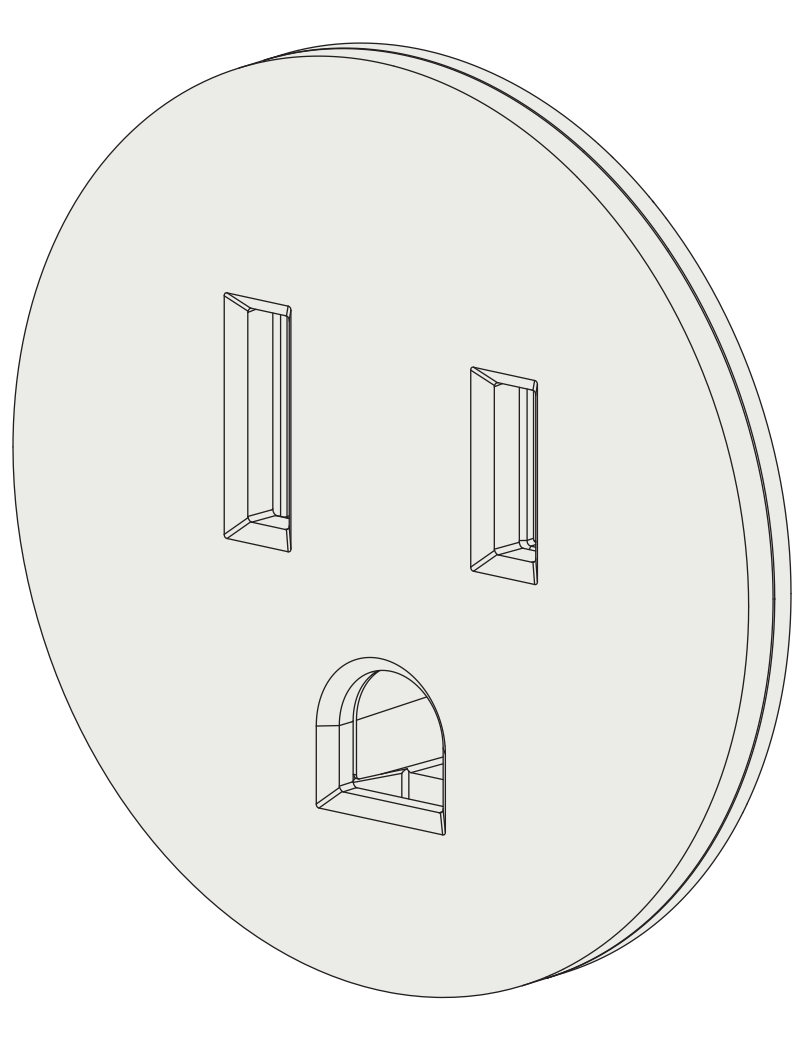


"click"



Install the cover plate.

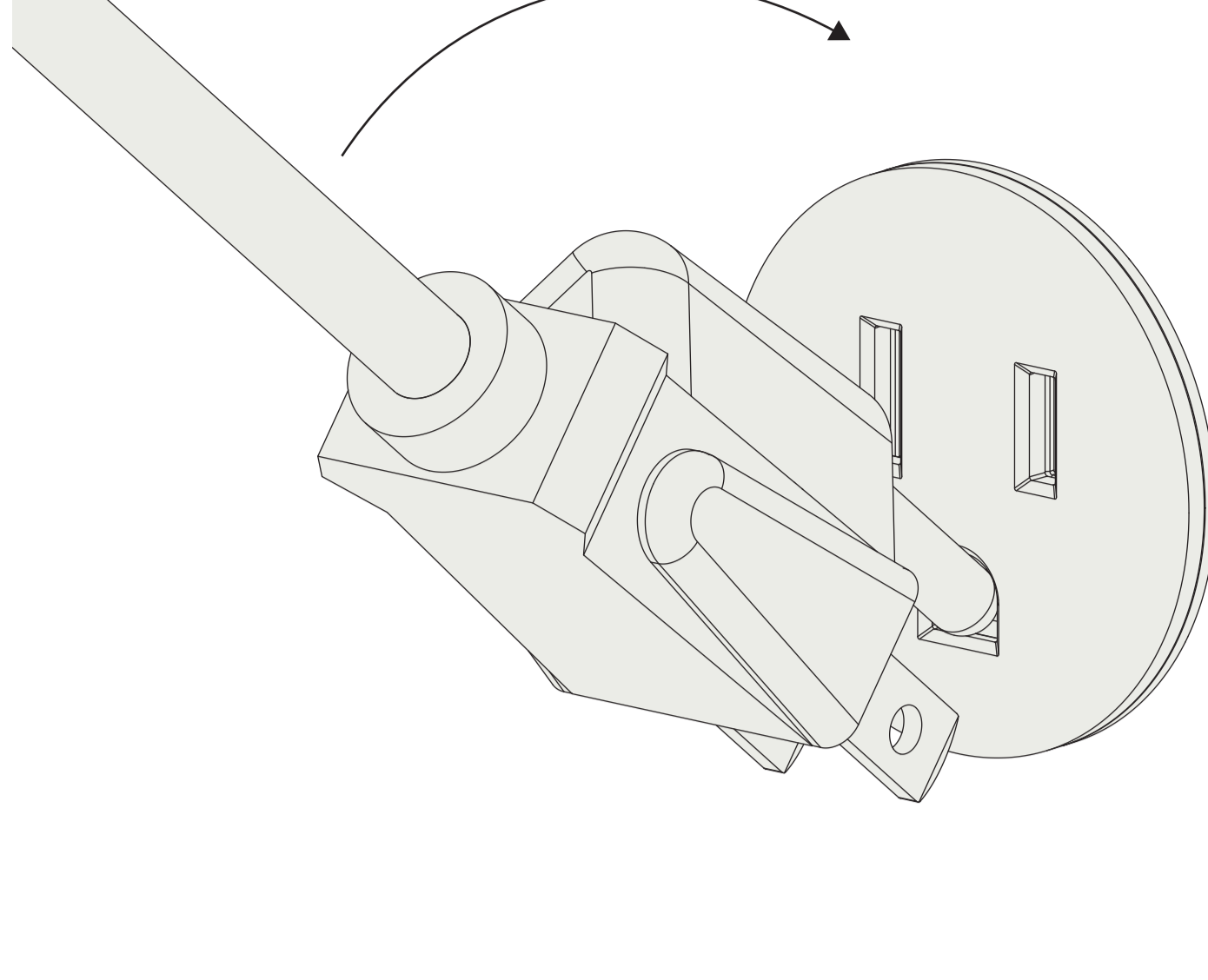
20



Turn the power on.

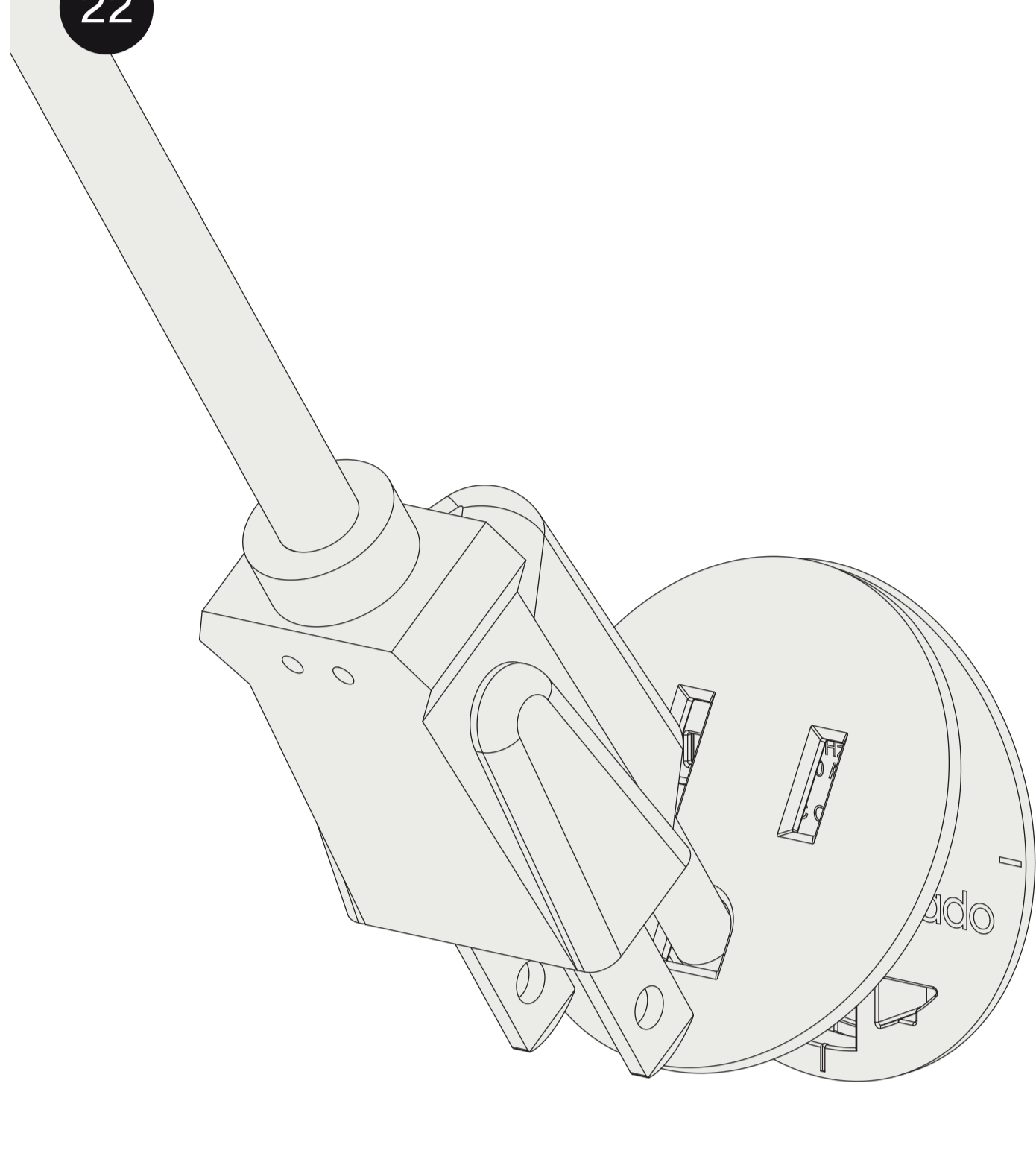
# for removal

21



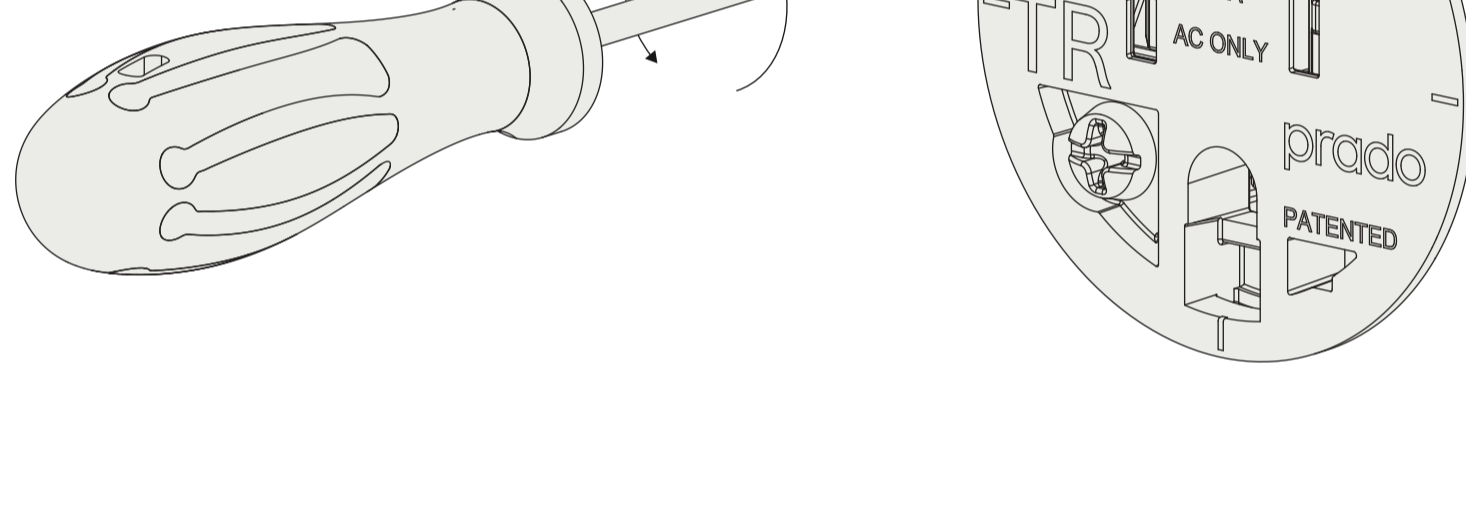
Turn the power off before removing the outlet.

22



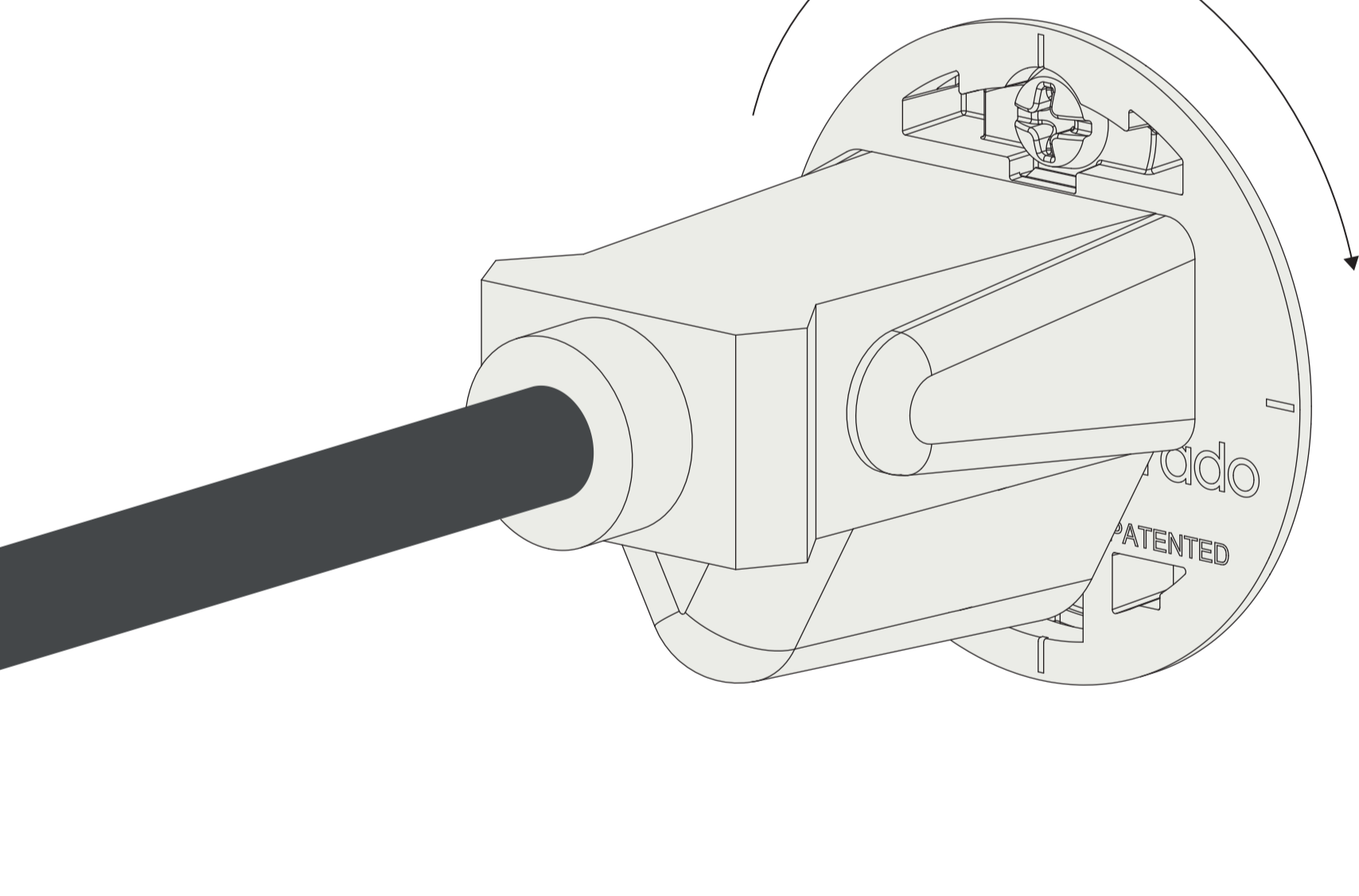
Click off the cover plate using a plug.

23



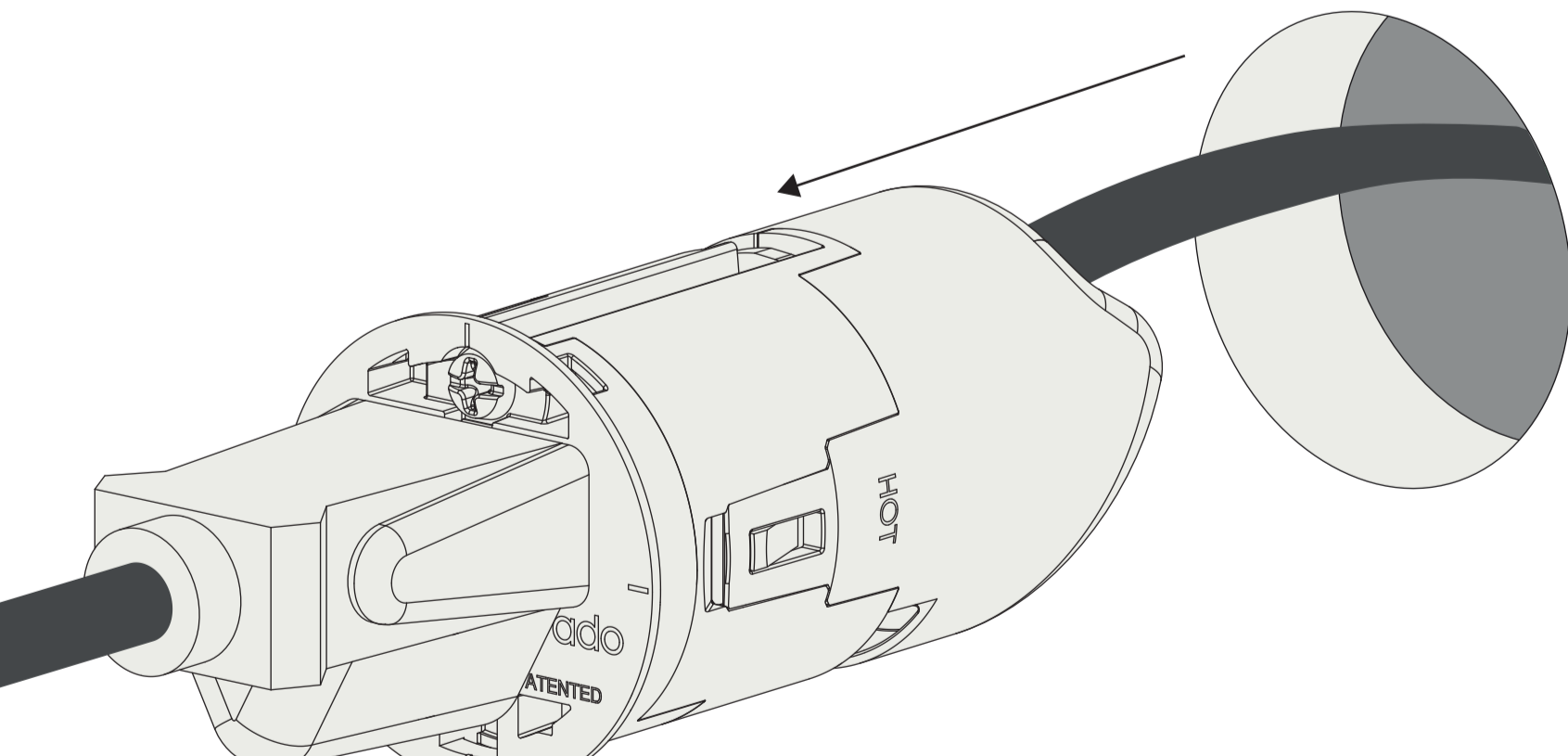
Loosen the screws.

24



Remove the outlet by using a plug and twisting clockwise.

25



Remove the outlet.  
Thank you for choosing prado.



**Intertek**

5029983

CONFORMS TO UL STD. 498

CERTIFIED TO CSA STD. C22.2#42

[prado.com](http://prado.com)

[support@prado.com](mailto:support@prado.com) - Prado America LLC

Installation must be done by skilled professionals only and instructions must be followed at all times. Warranty will not apply in case of wrongful use of if unskilled personnel attempts to repair a product.