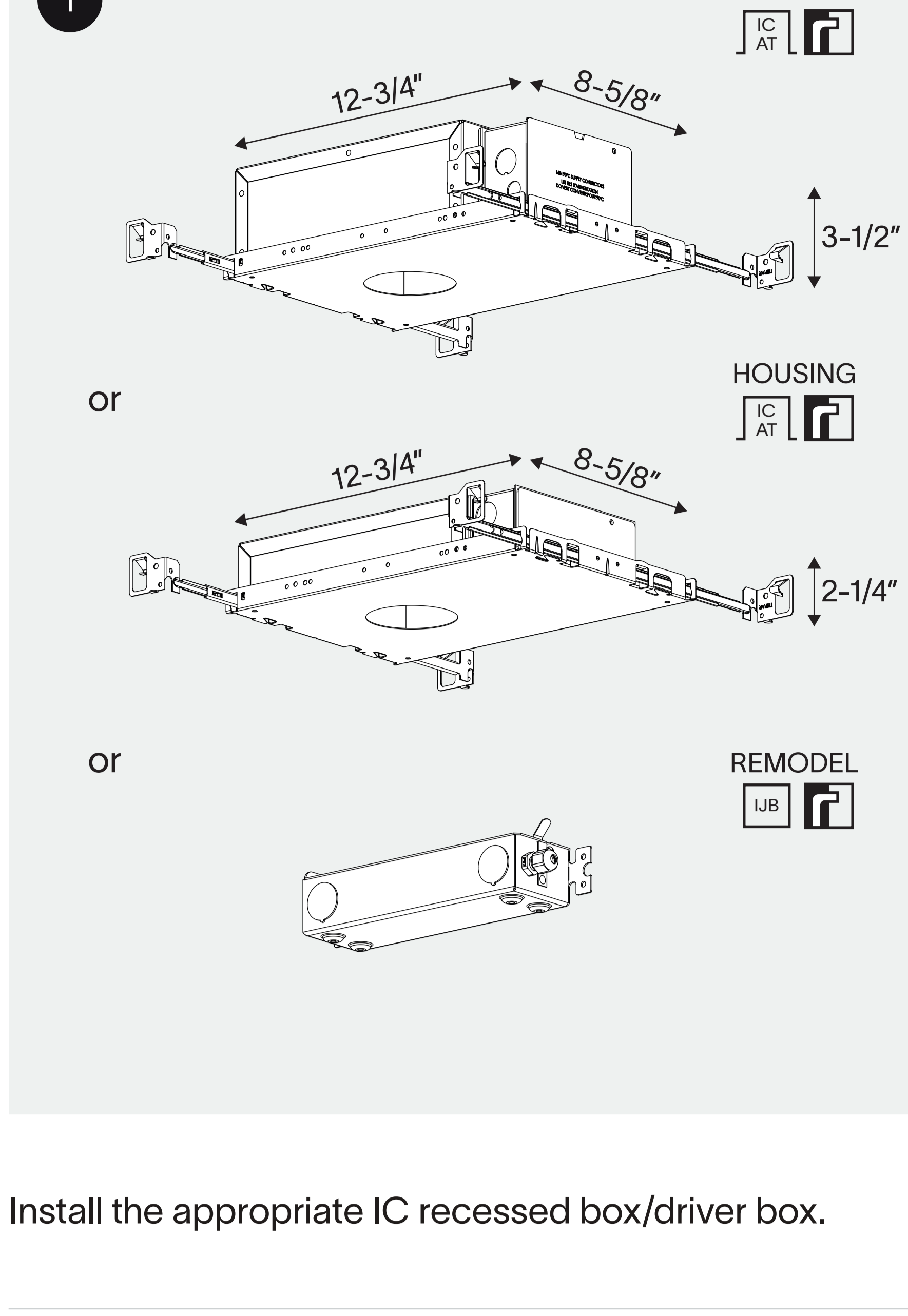
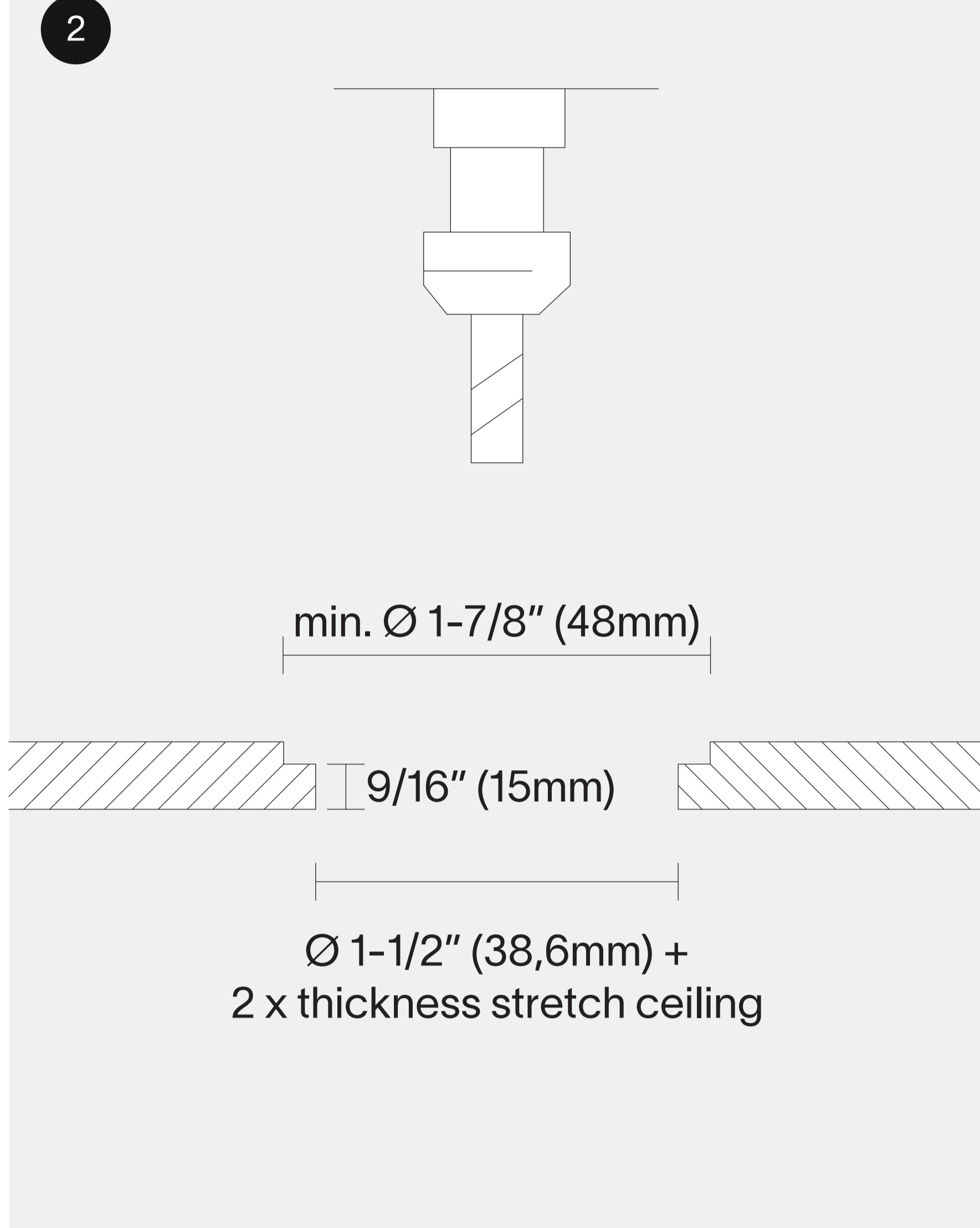


cold stretch ceiling ring Ø1-1/2"

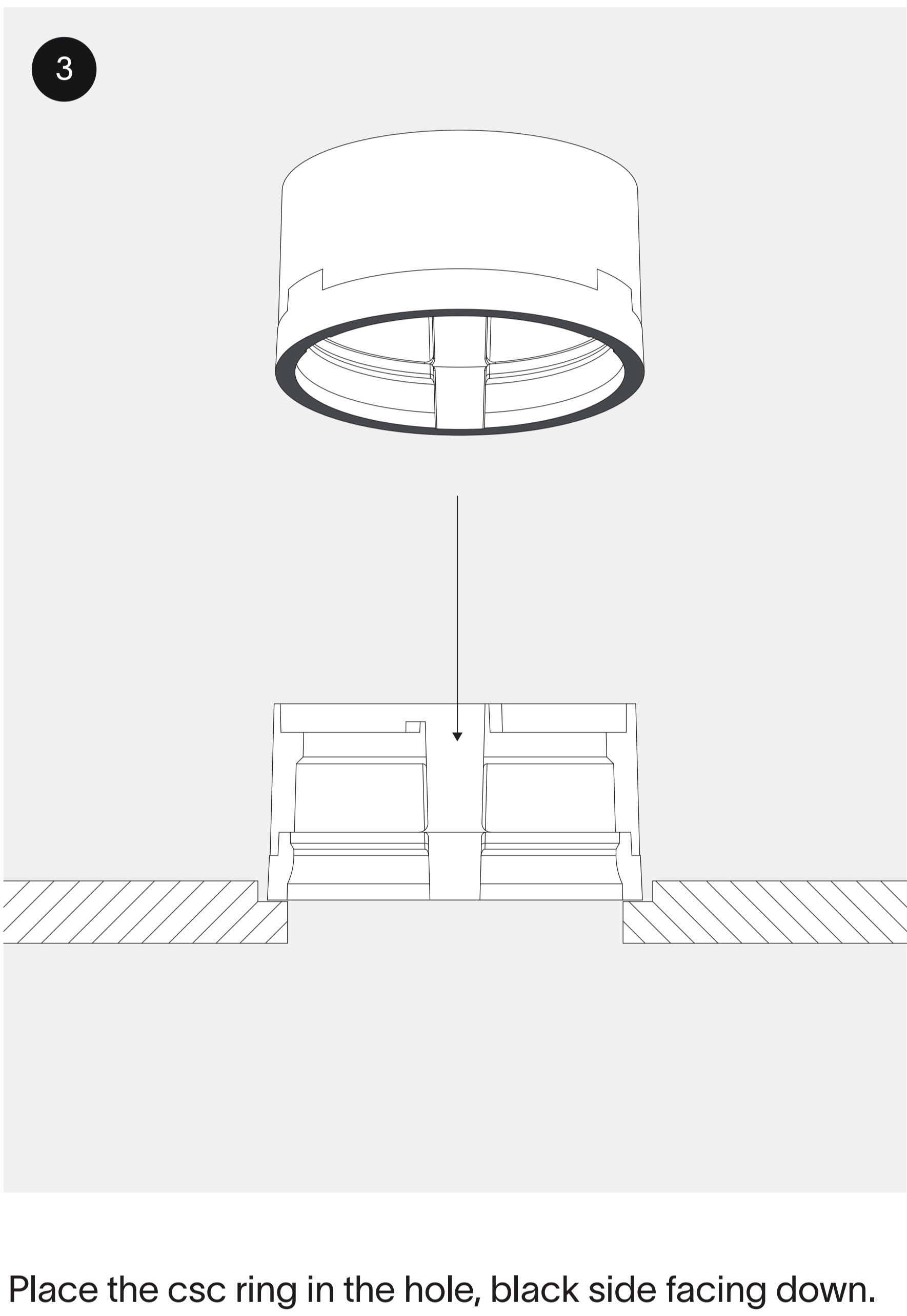
installation instruction



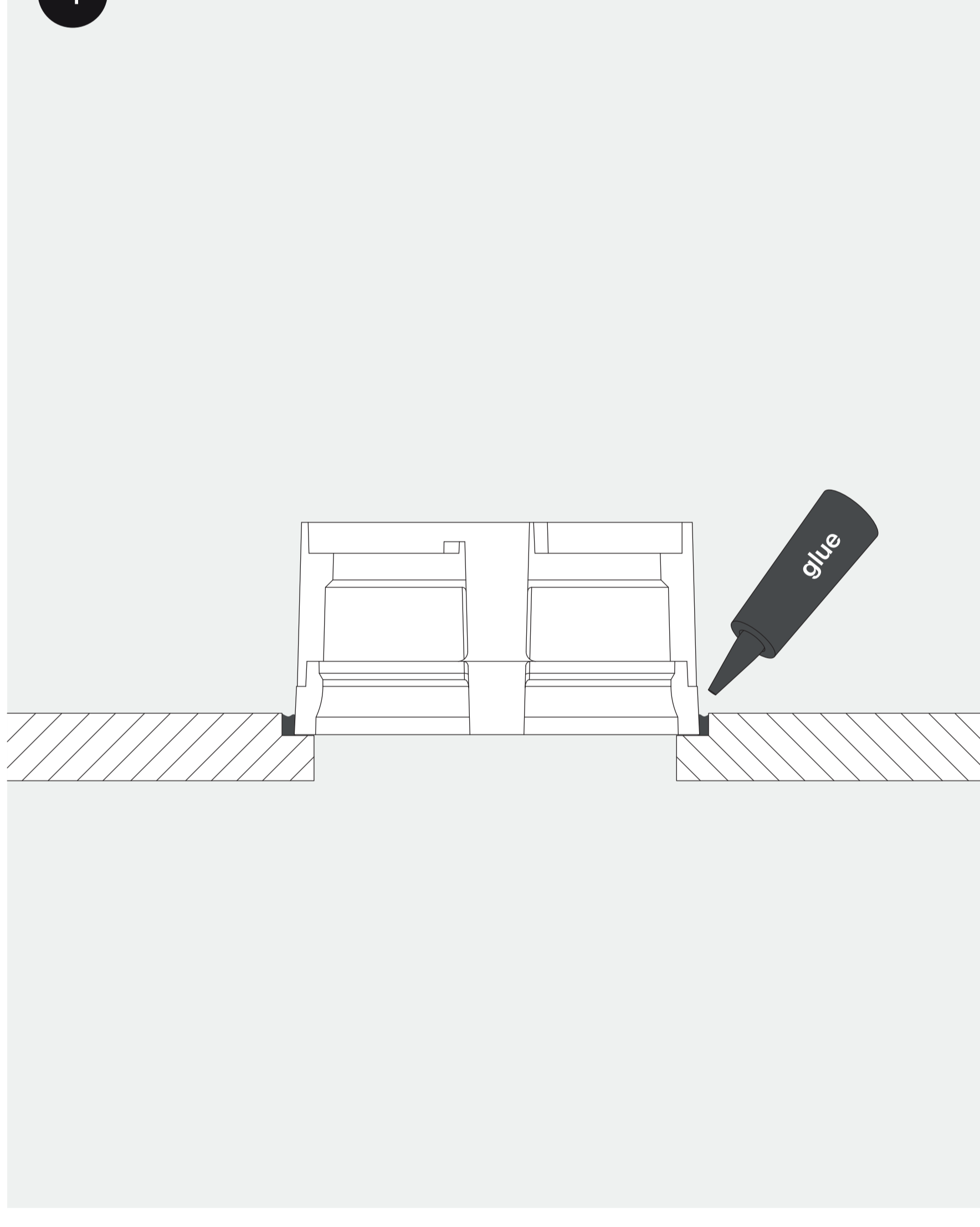
Install the appropriate IC recessed box/driver box.



Mill a hole with the above dimensions in a wooden base (not supplied) (maximal fabric thickness : 1.2mm (3/64")).



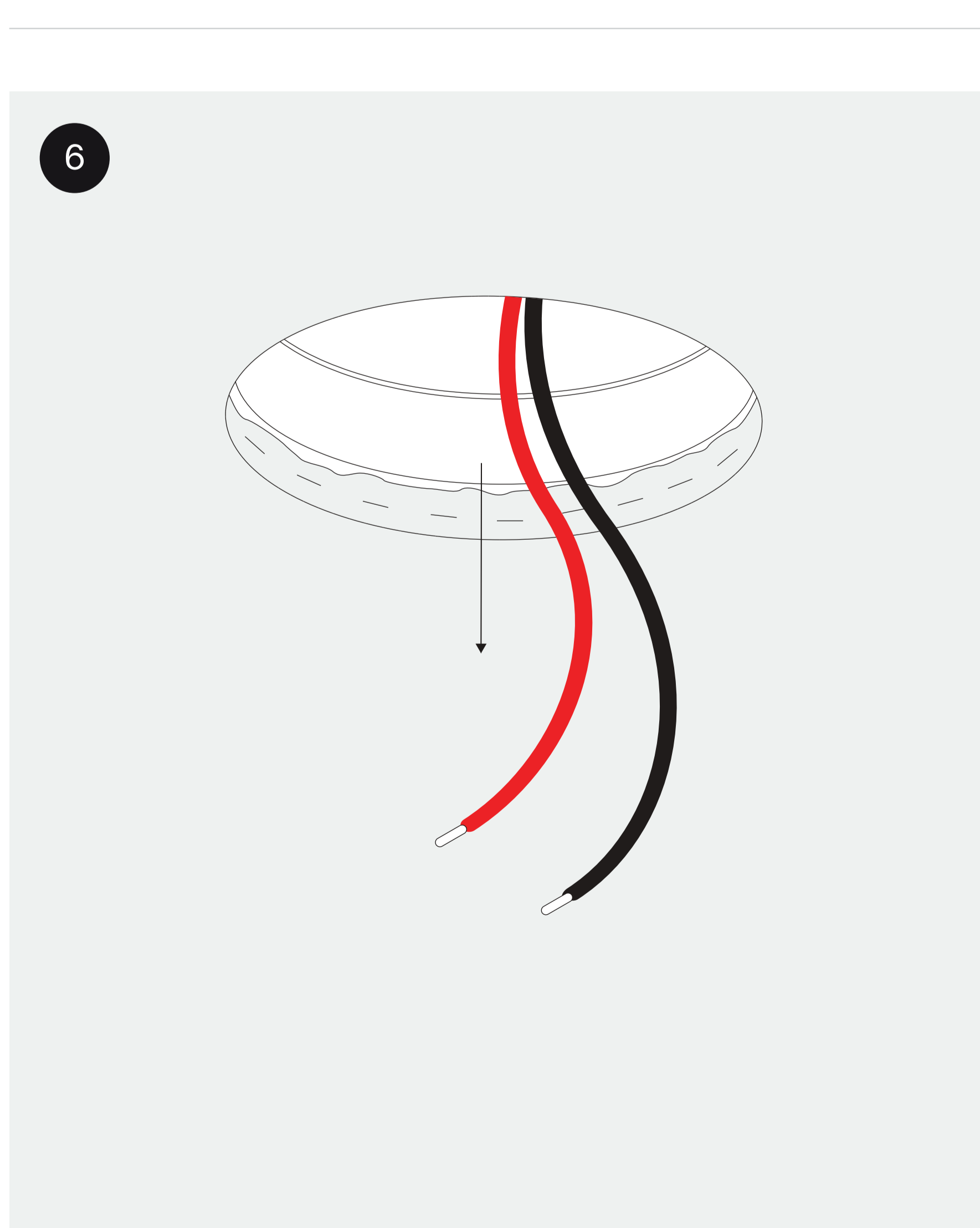
Place the csc ring in the hole, black side facing down.



Fix the csc ring to the wooden base with the right glue.



Fasten the cloth in the wooden base (below the csc kit) cut off the excess fabric (it cannot touch the csc ring).



The fixture can now be installed.
Thank you for choosing prado.