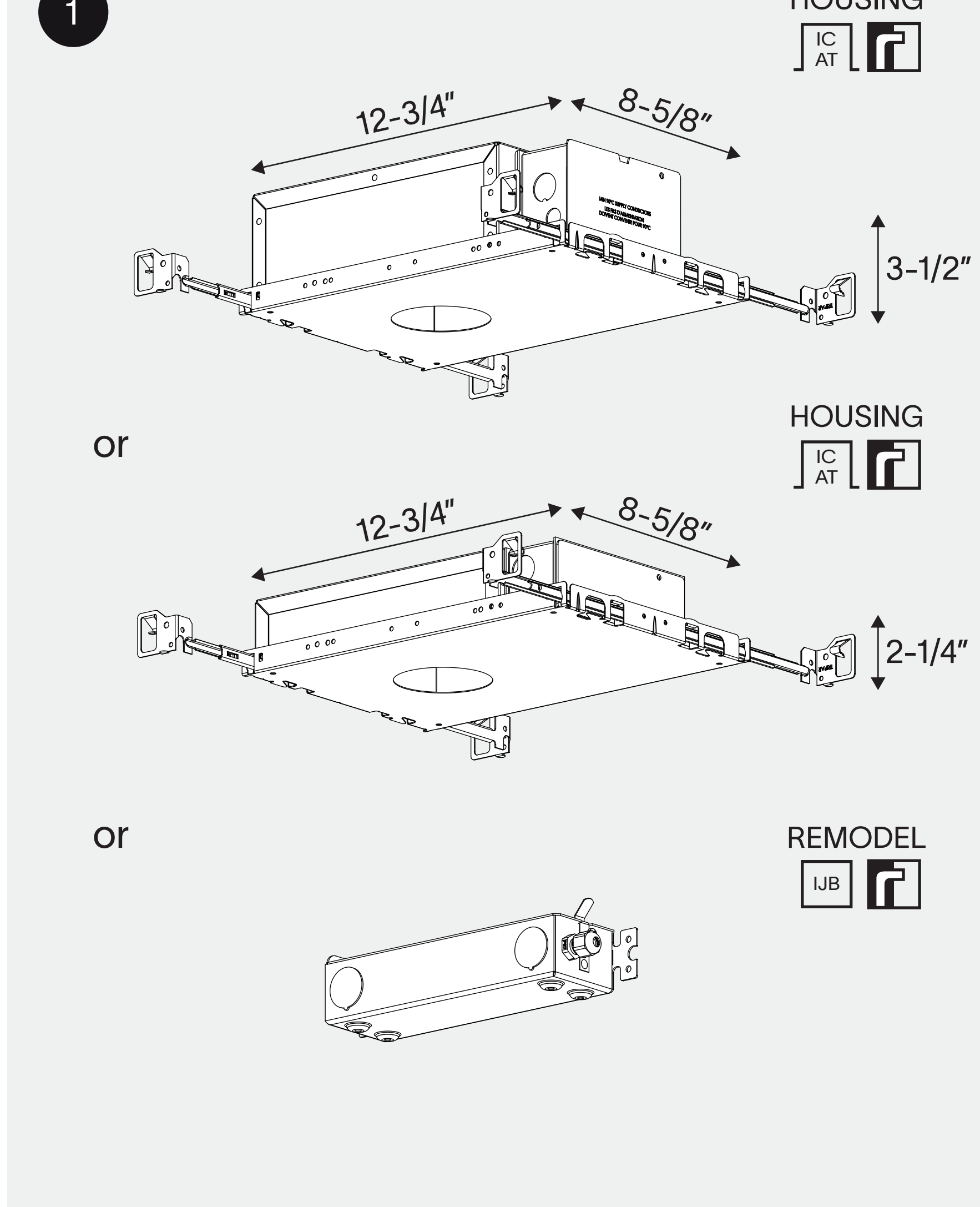
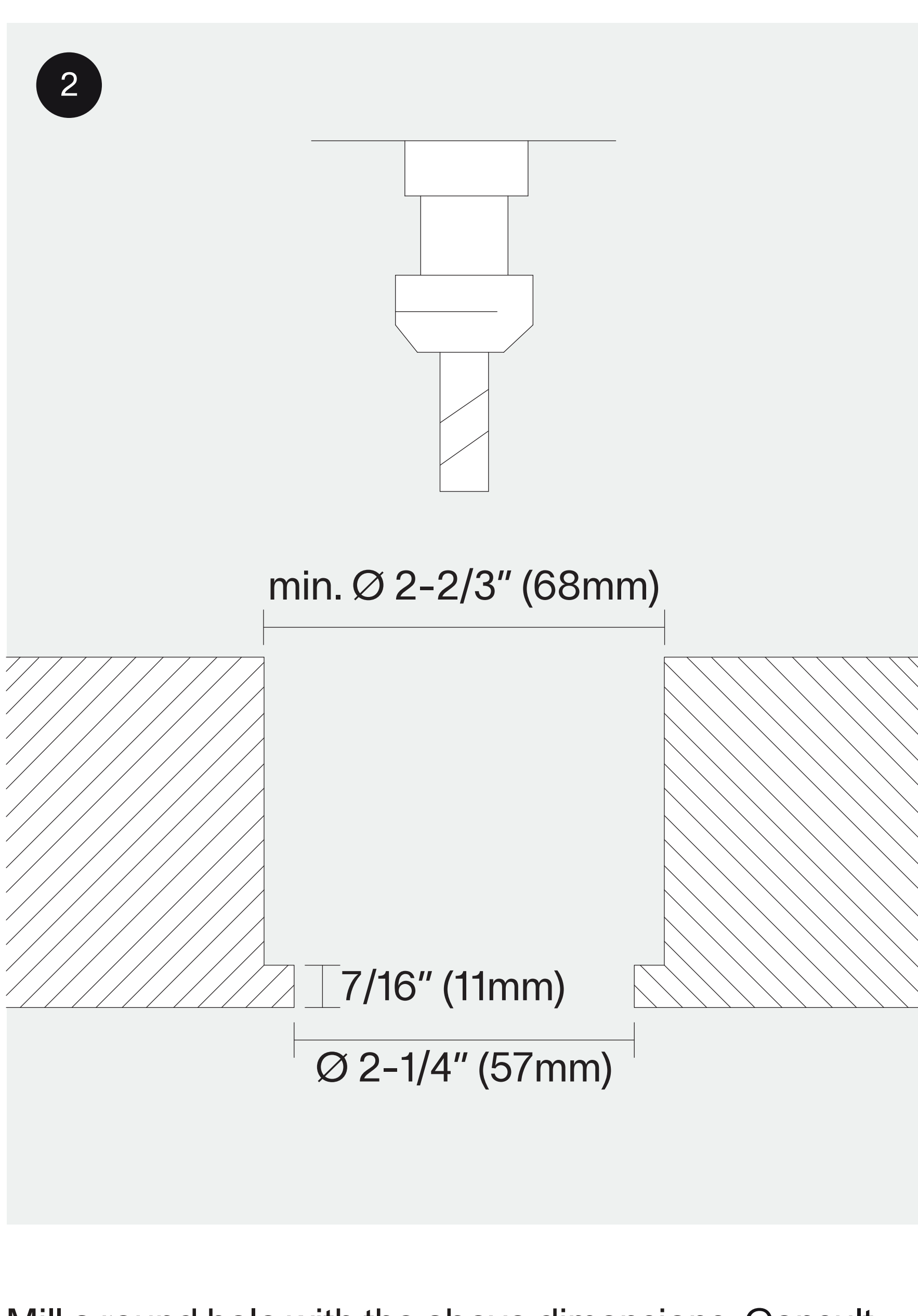


# clt ring Ø2-1/4"

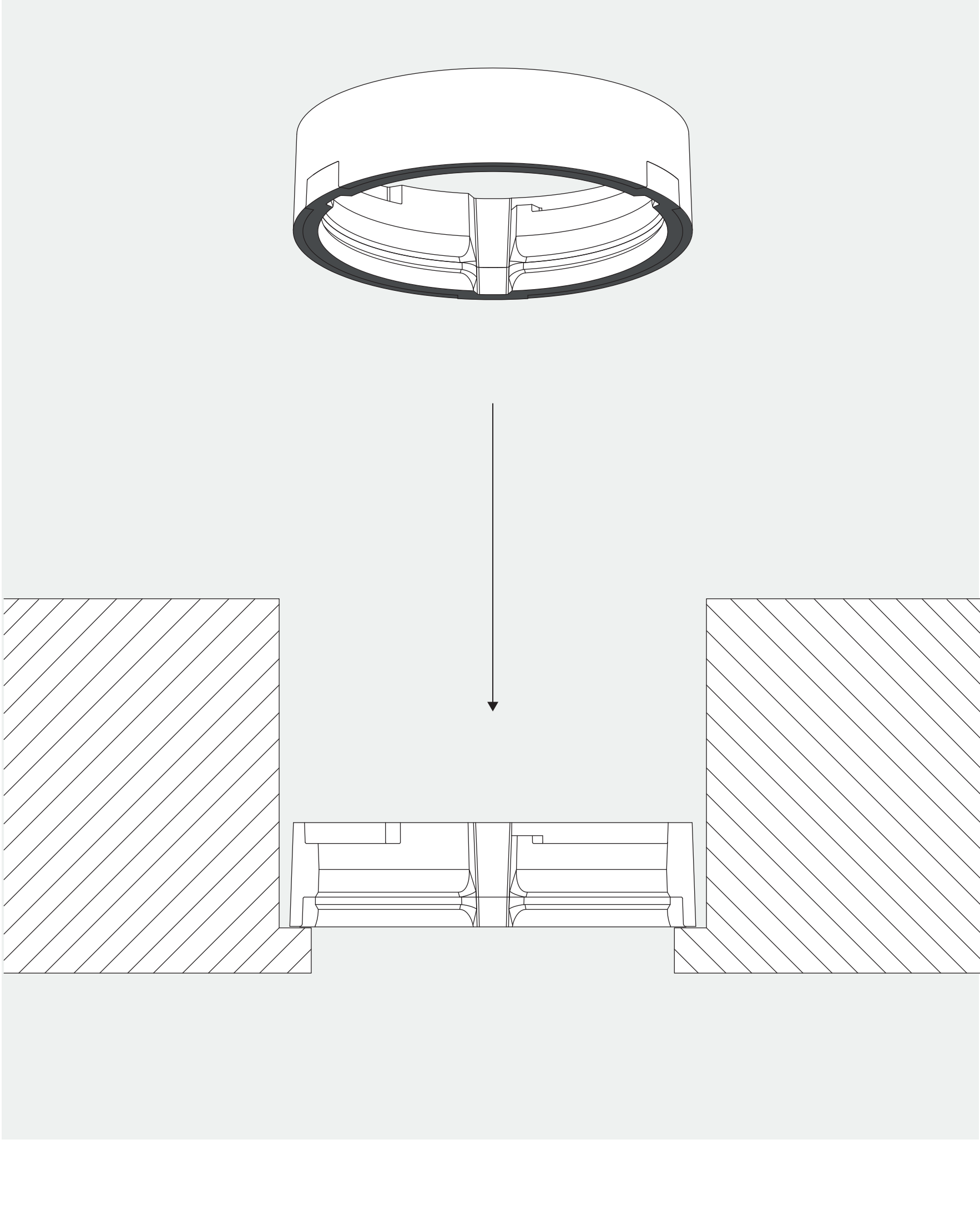
## installation instruction



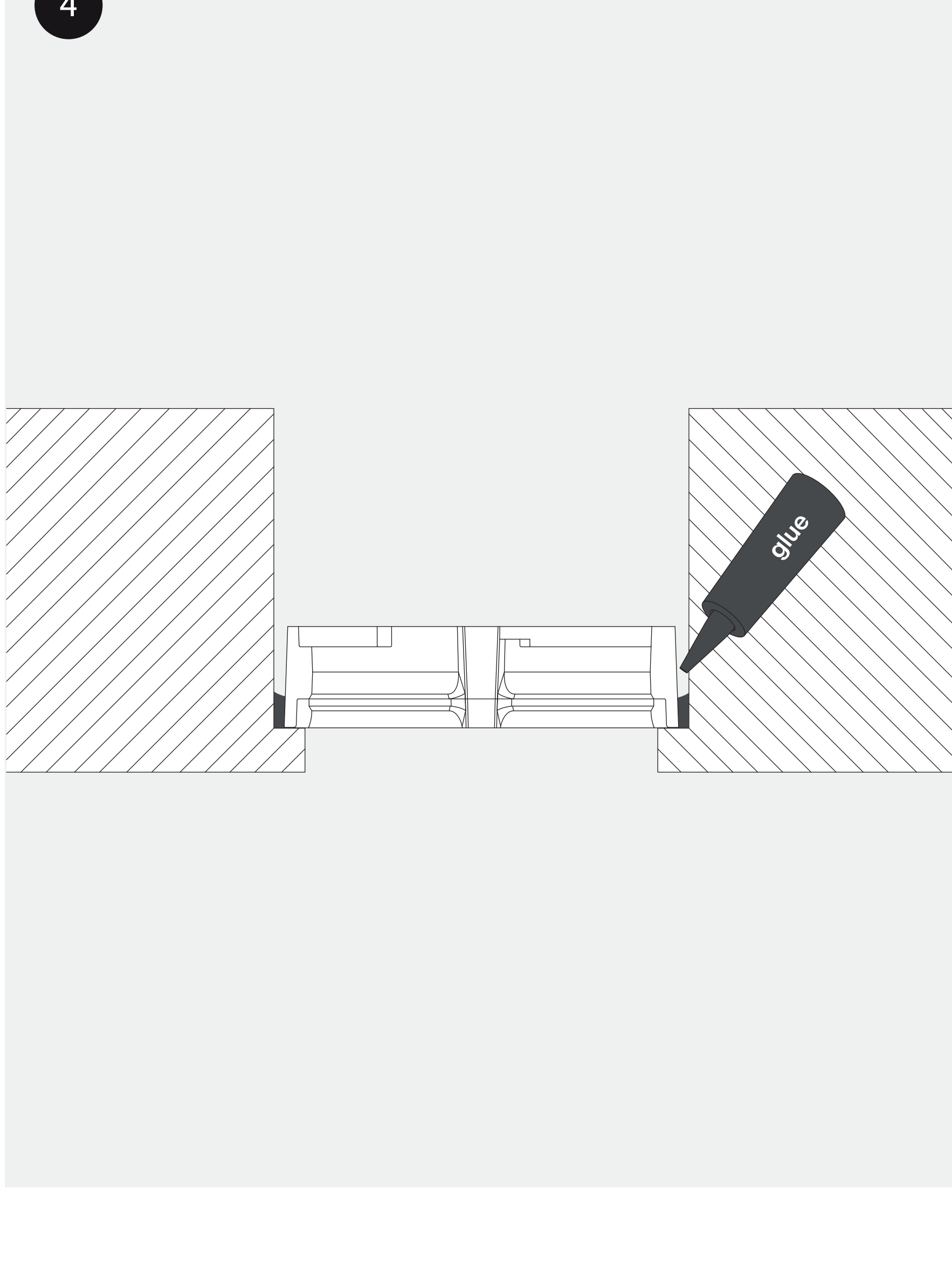
Install the appropriate IC recessed box/driver box.



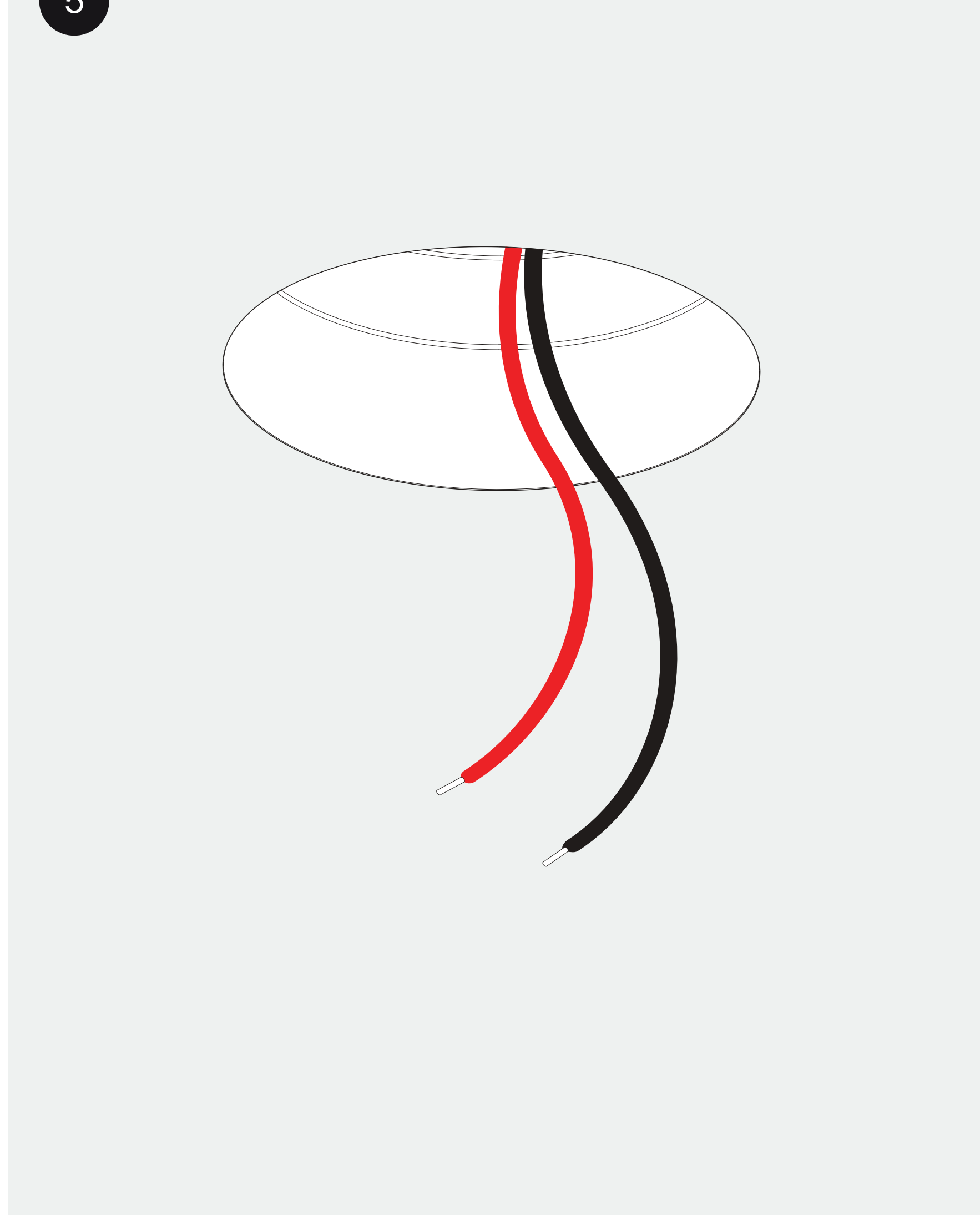
Mill a round hole with the above dimensions. Consult the chosen luminaire tech specs for required height and free air dimensions.



Place the clt ring in the hole, black side facing down.



Fixate the ring to the clt with the appropriate glue.



The fixture can now be installed.

Thank you for choosing prado.