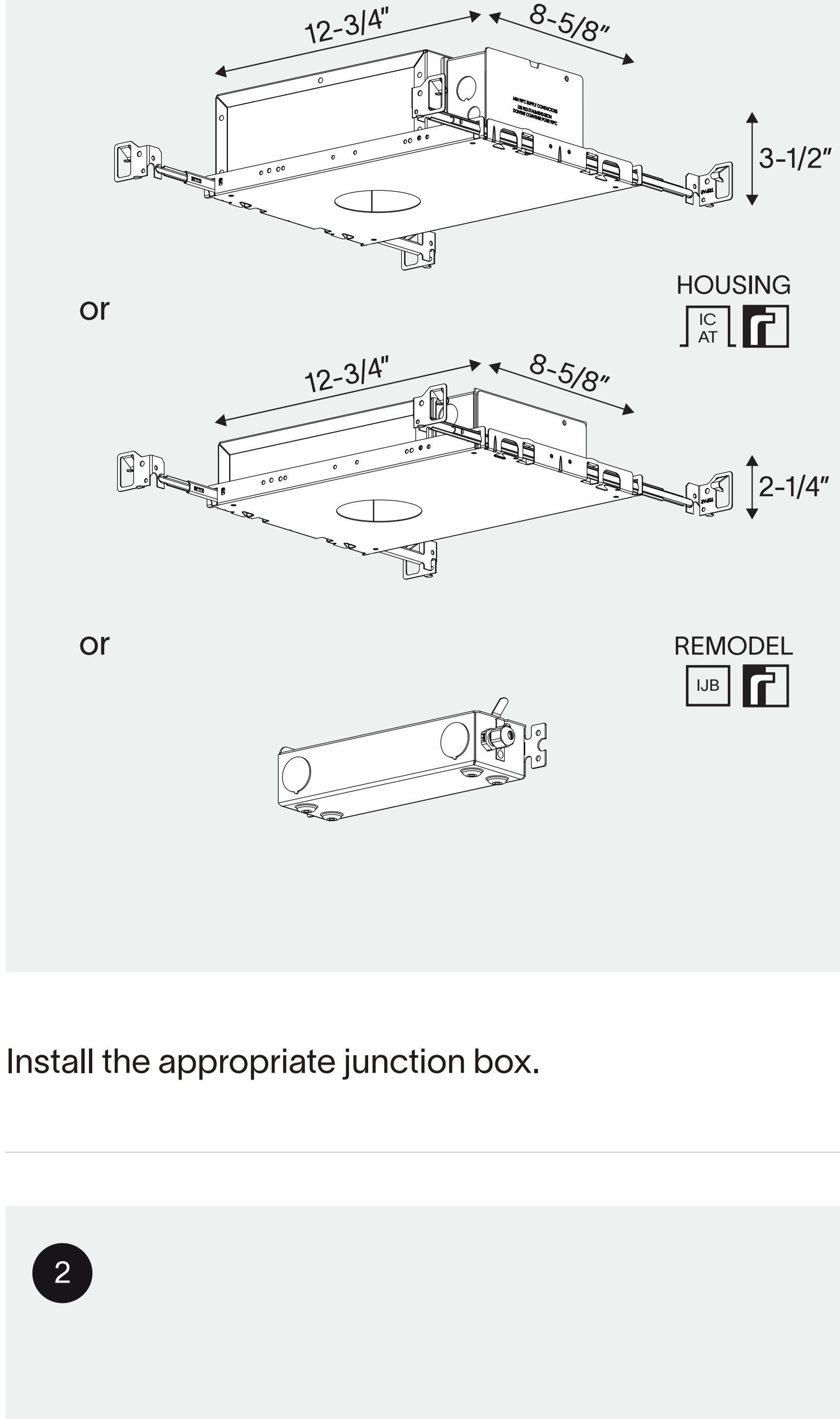
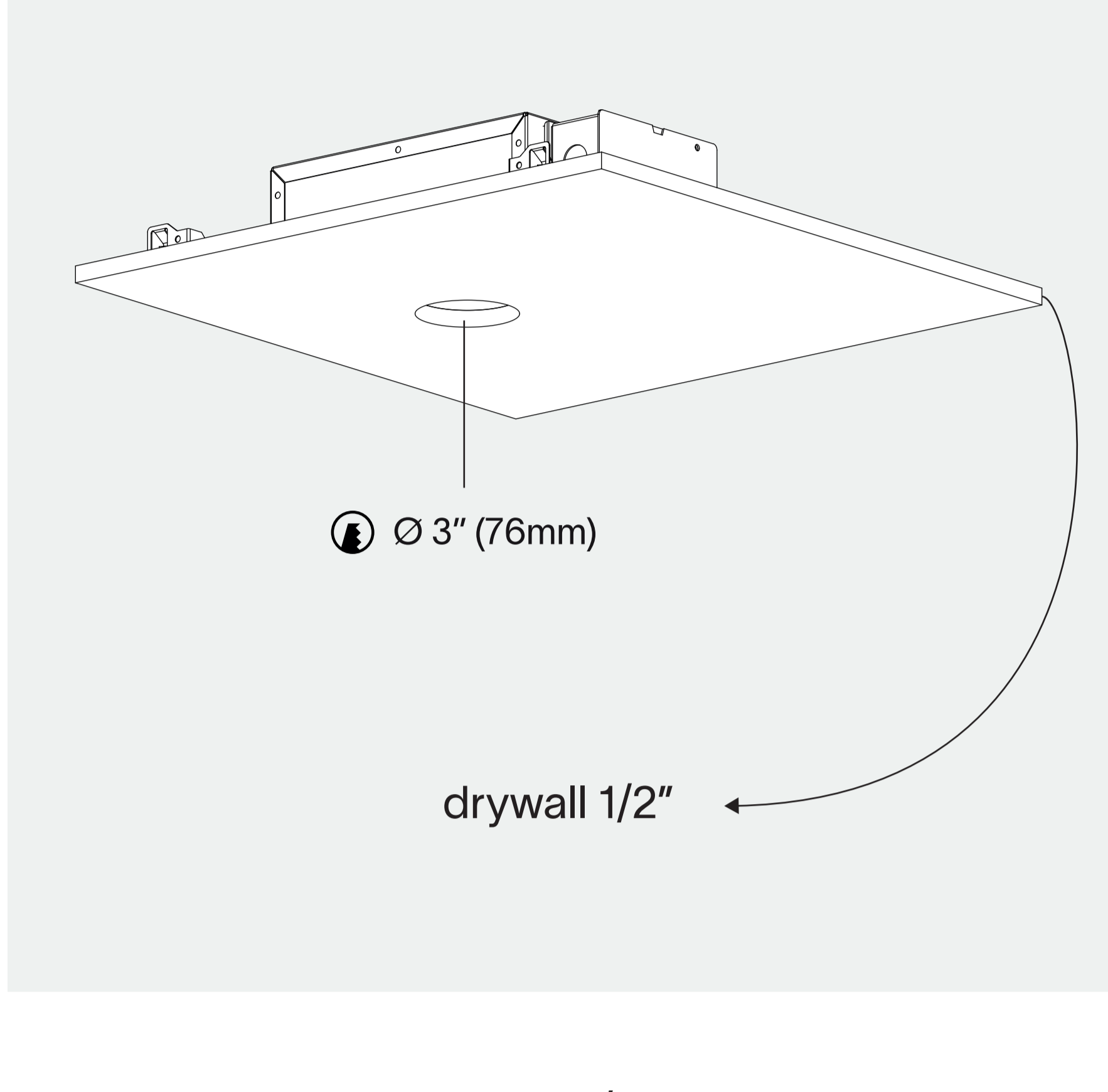


# adjustable thin mud ring Ø1-1/2"

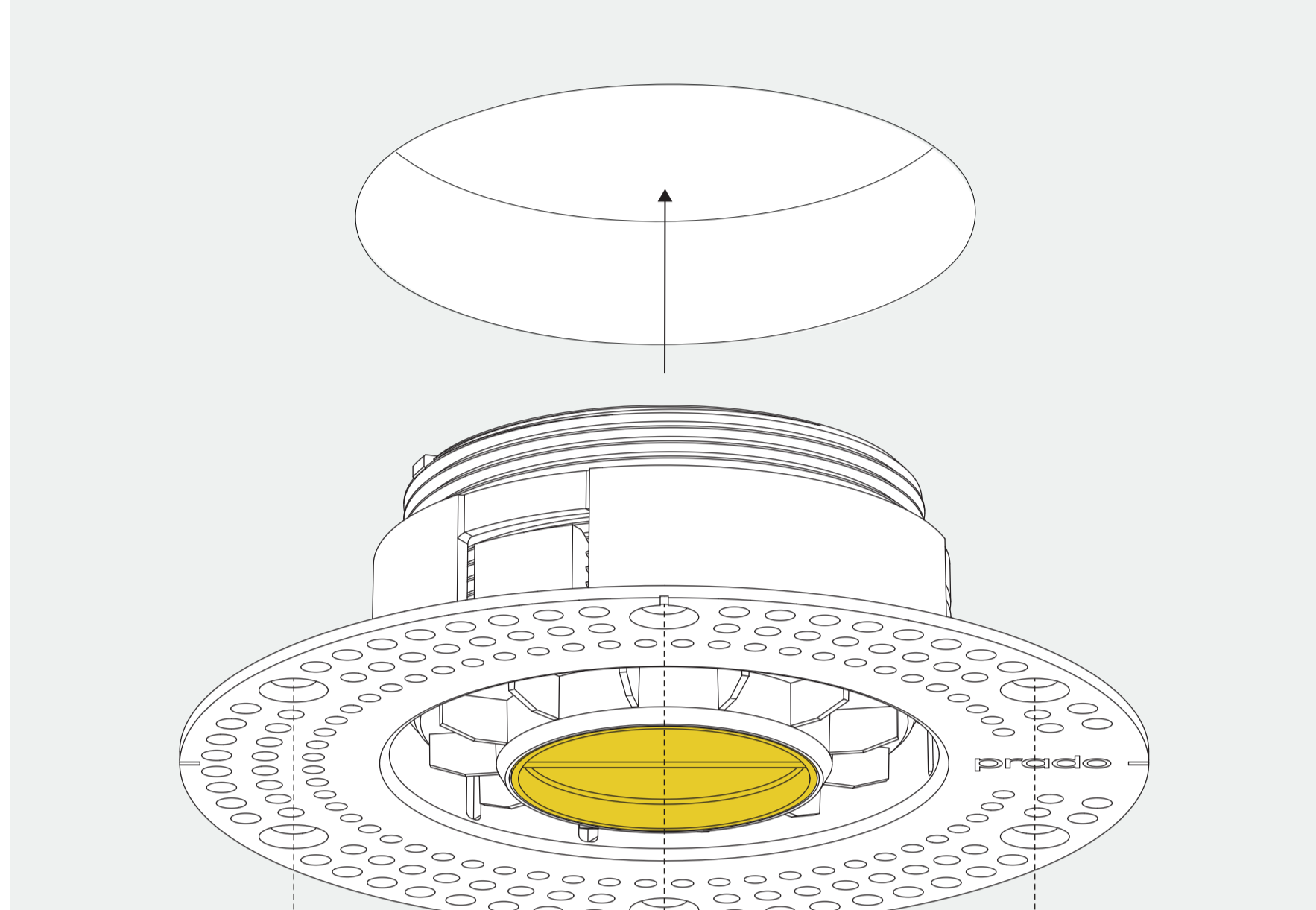
## installation instruction



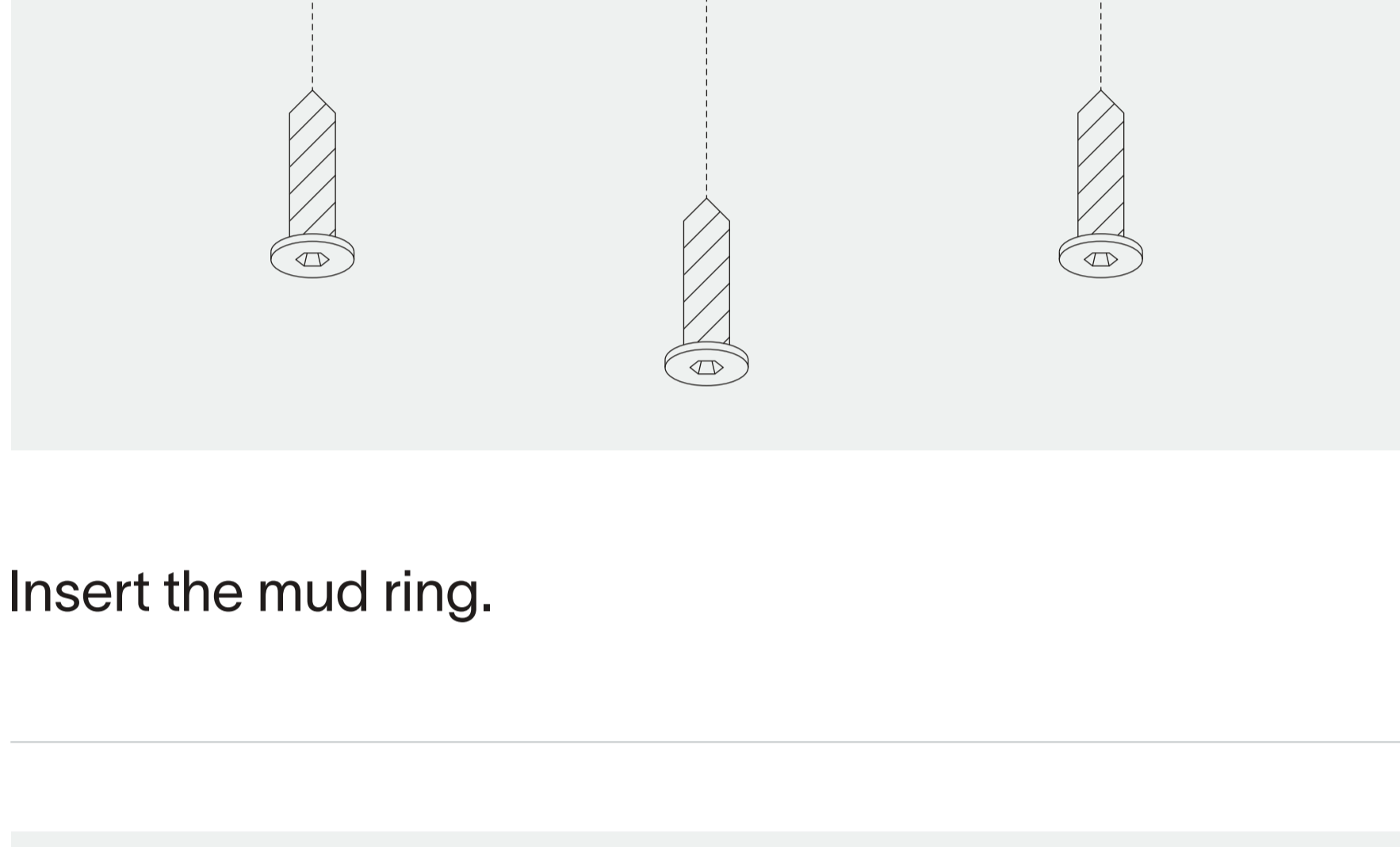
Install the appropriate junction box.



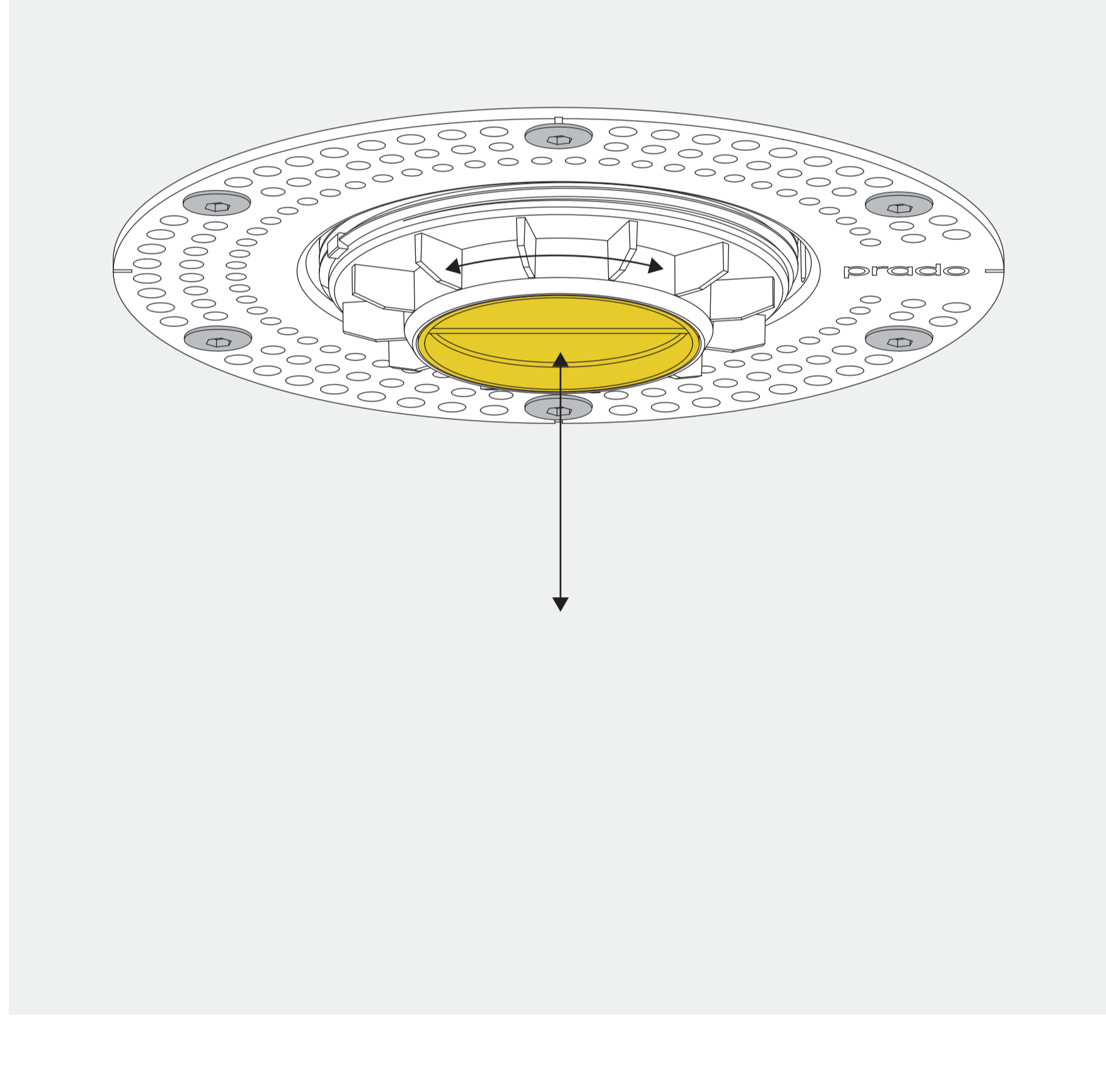
Install the drywall (thickness 1/2") with a round hole (Ø 3").



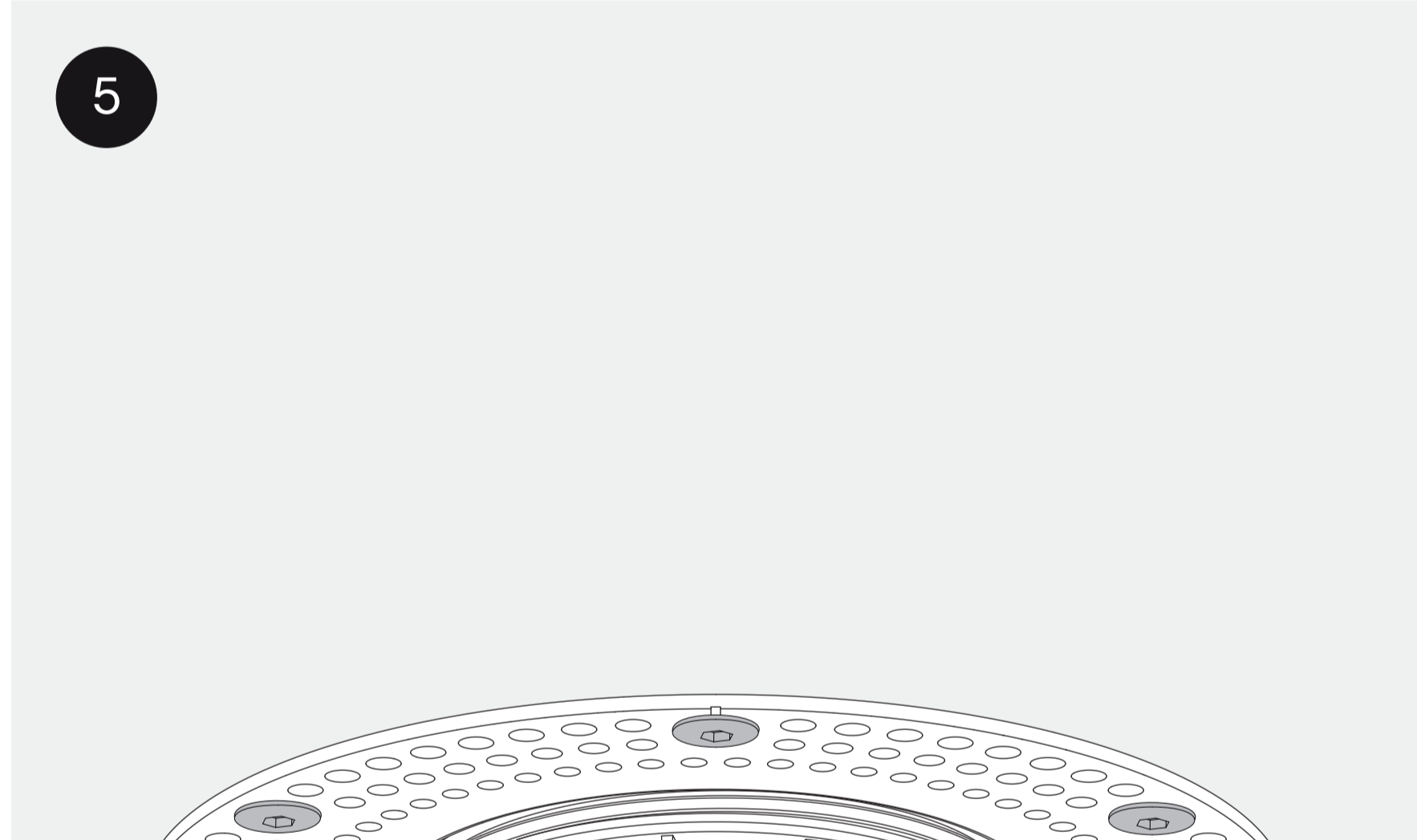
Insert the mud ring.



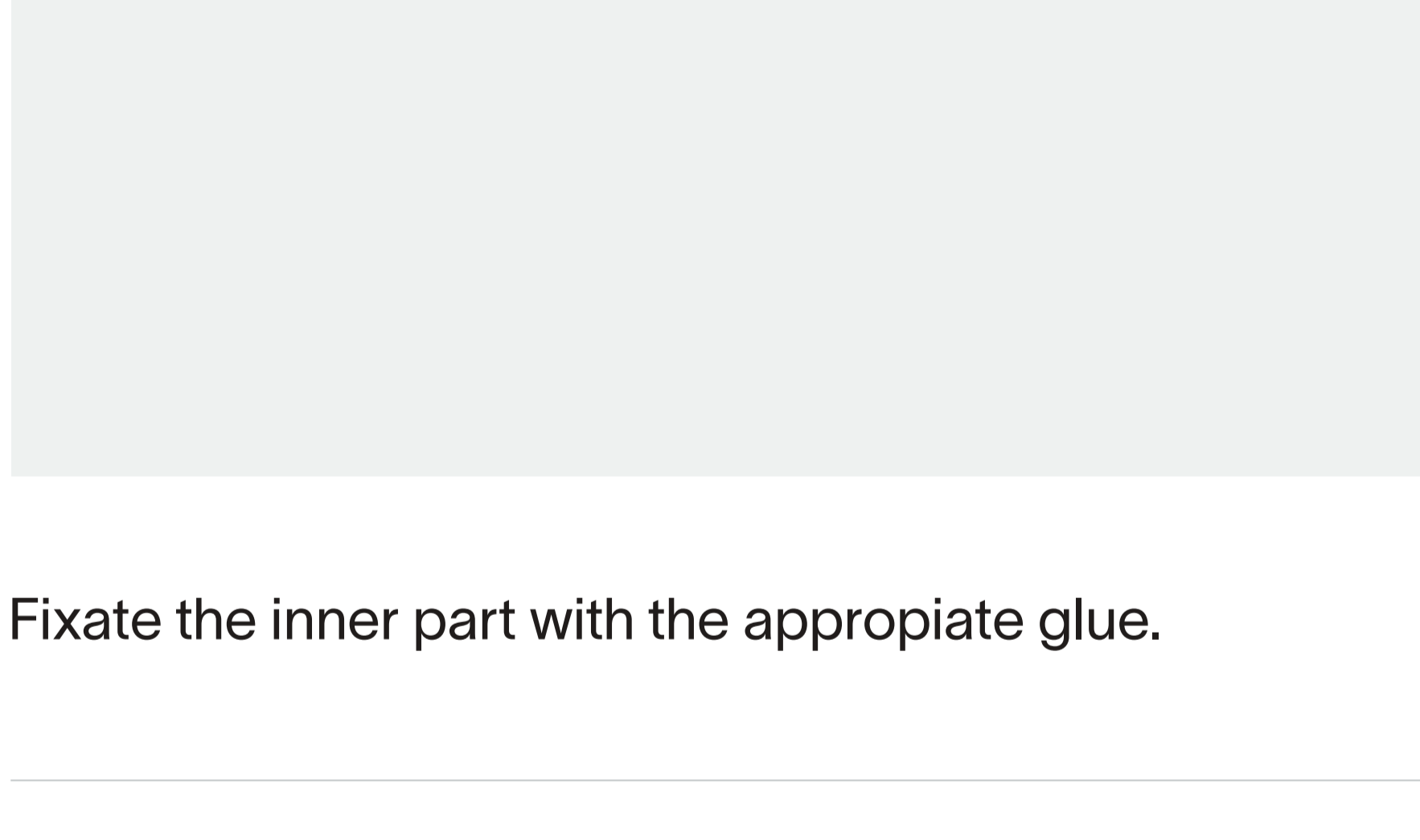
Adjust the height of the mud ring by twisting the inner part of the kit (min. 9/64" (3.6mm) - max. 3/4" (20mm)).



Fixate the inner part with the appropriate glue.



Excercise caution while plastering, do not damage the ring. Keep the plaster lid inside the mud ring while plastering. Use a fiberglass mesh tape for optimal plaster adhesion. Make sure not to touch the edge of the ring when sanding.



Remove the plaster lid before installing the fixture. Any residue needs to be removed without damaging the edges of the ring.

Thank you for choosing prado.

prado.com

Installation must be done by skilled professionals only and instructions must be followed at all times. Warranty will not apply in case of wrongful use of if unskilled personnel attempts to repair a product.