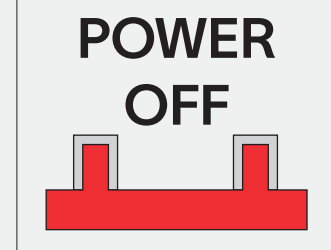
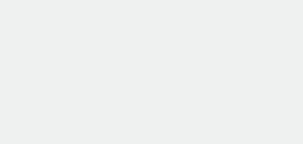


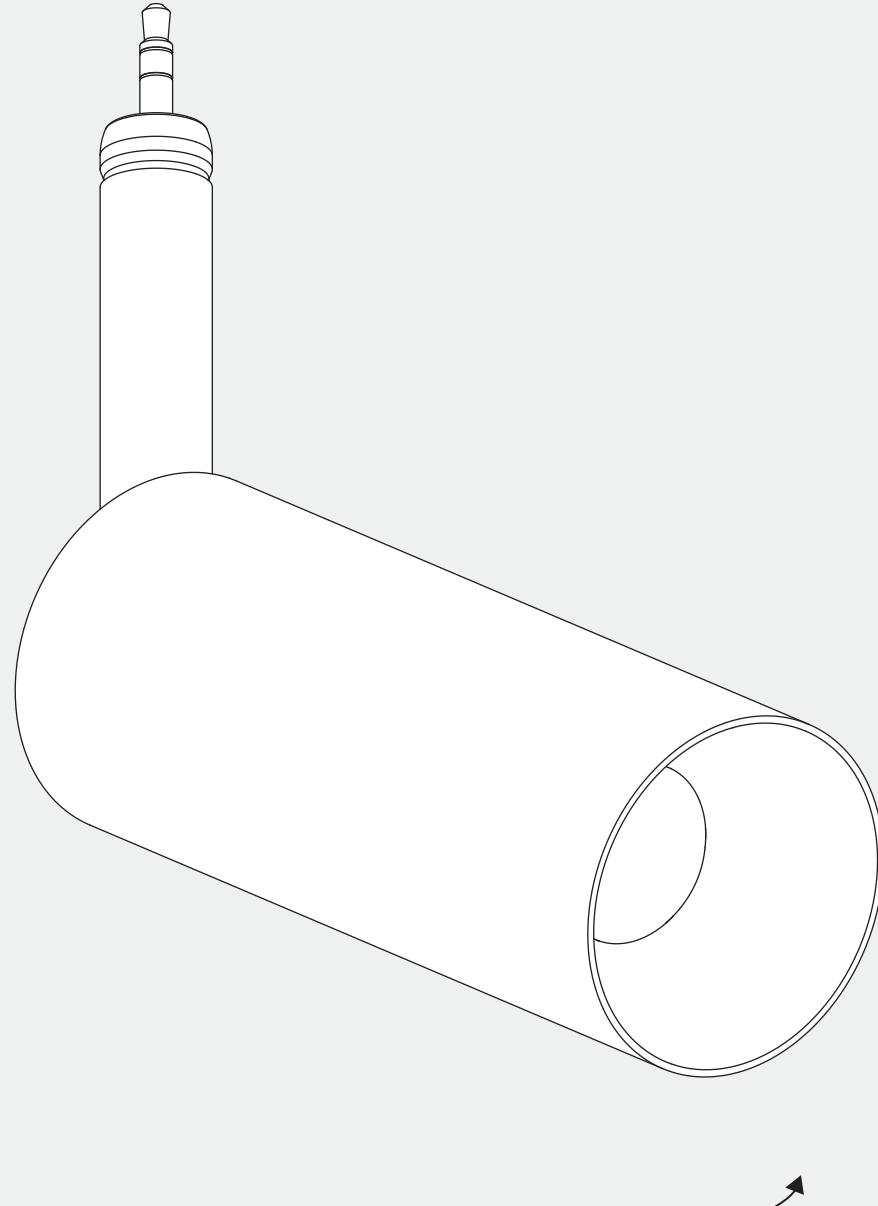
acrojack mini installation instruction

1

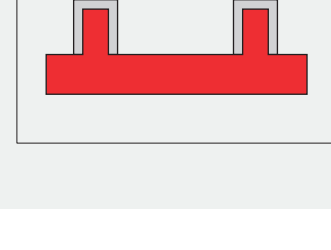


Make sure the power is turned off before installing the fixture into the plaster ring jack.

2

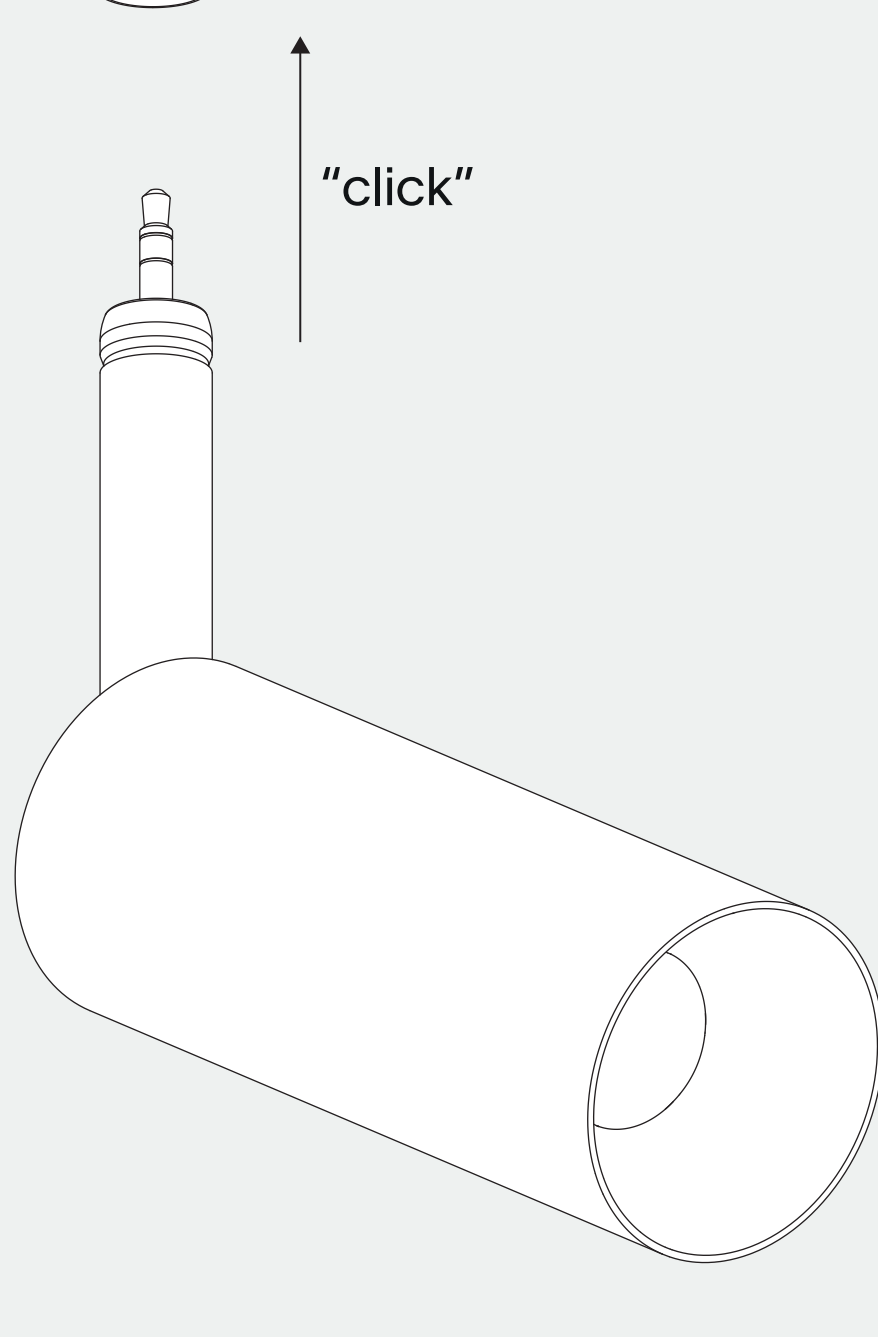


90°

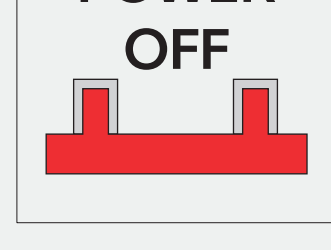


Twist the luminaire as desired.

3

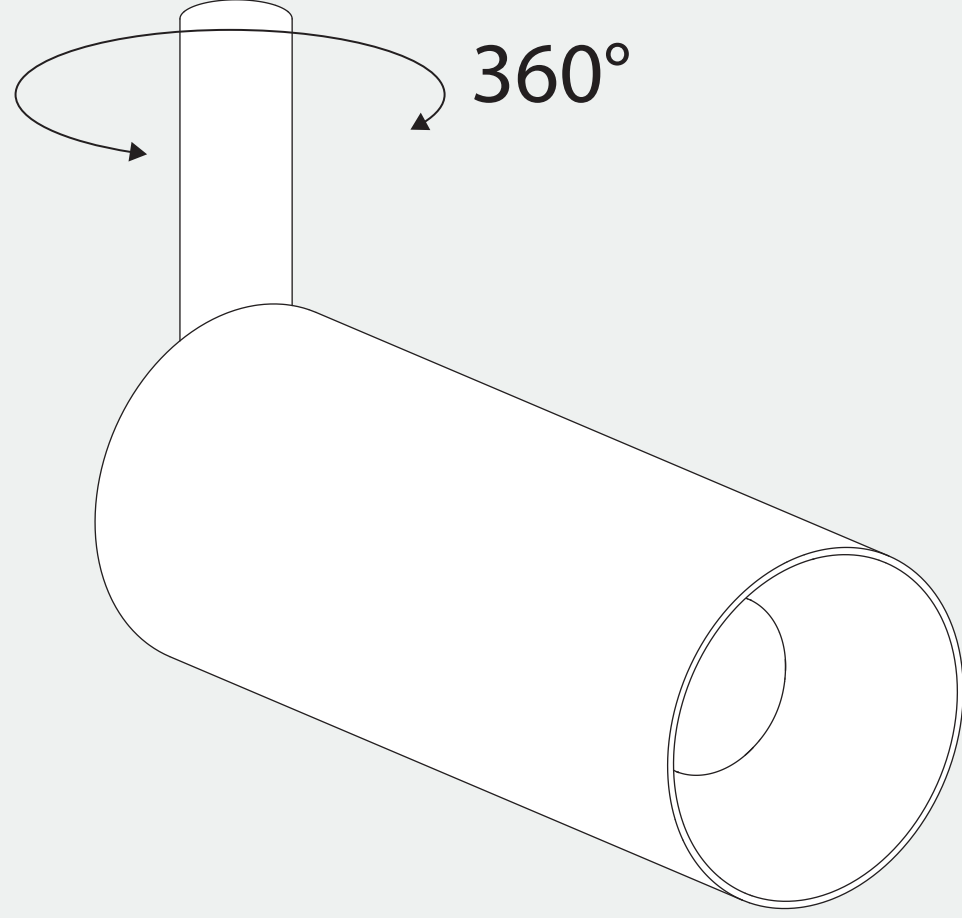


"click"

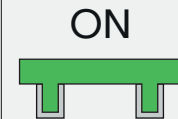


Gently insert the fixture into the kit until it "clicks".

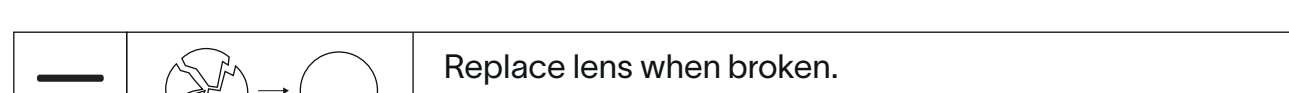
4



360°



Turn the power back on.
Thank you for choosing prado.



Replace lens when broken.
Luminaire shall only be used together with lens.