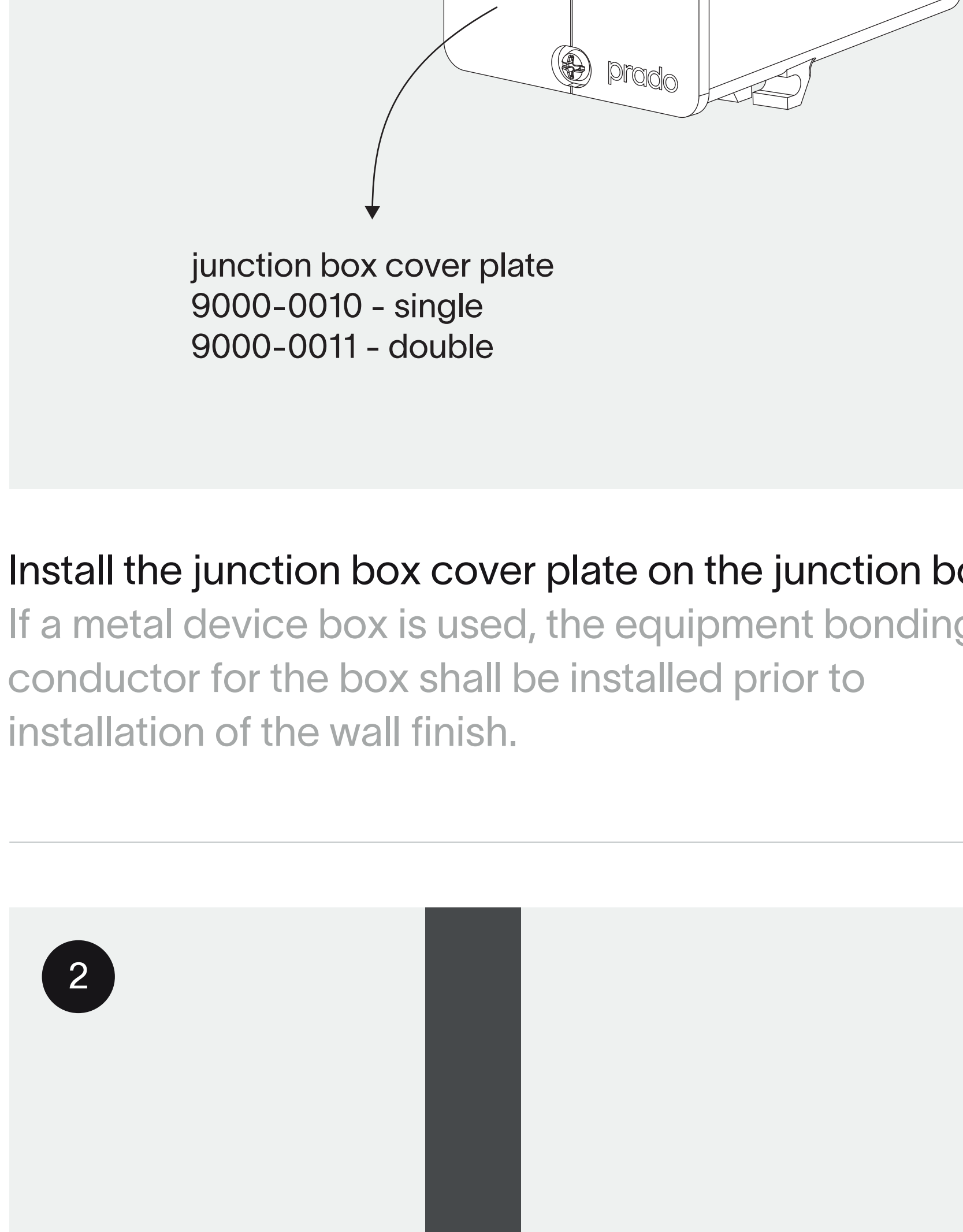


unifit outlet hardwired installation instruction

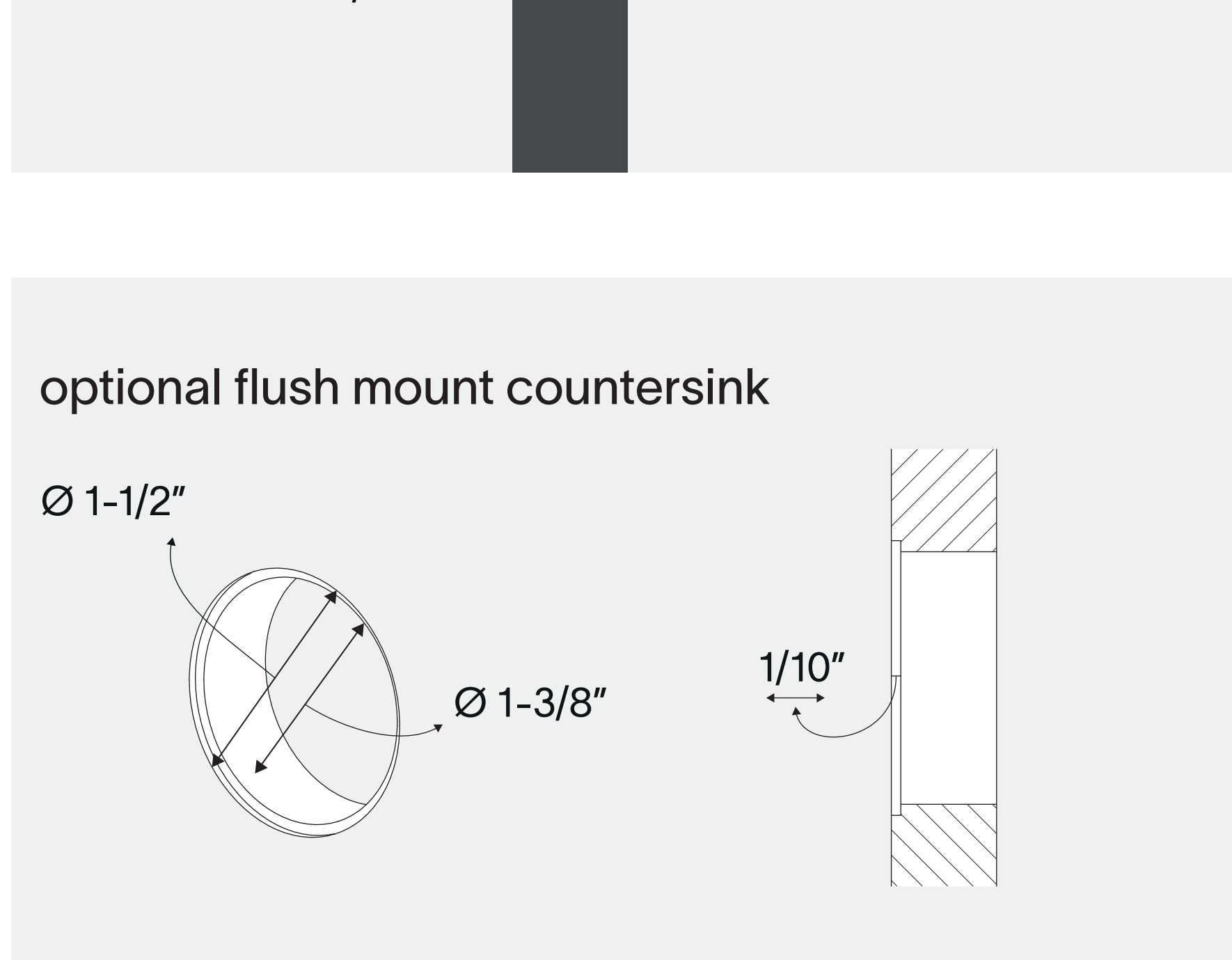
1



junction box cover plate
9000-0010 - single
9000-0011 - double

Install the junction box cover plate on the junction box. If a metal device box is used, the equipment bonding conductor for the box shall be installed prior to installation of the wall finish.

2



Ø1-3/8"

junction box with cover plate

min. 1/4"
max. 1-3/8"

optional flush mount countersink



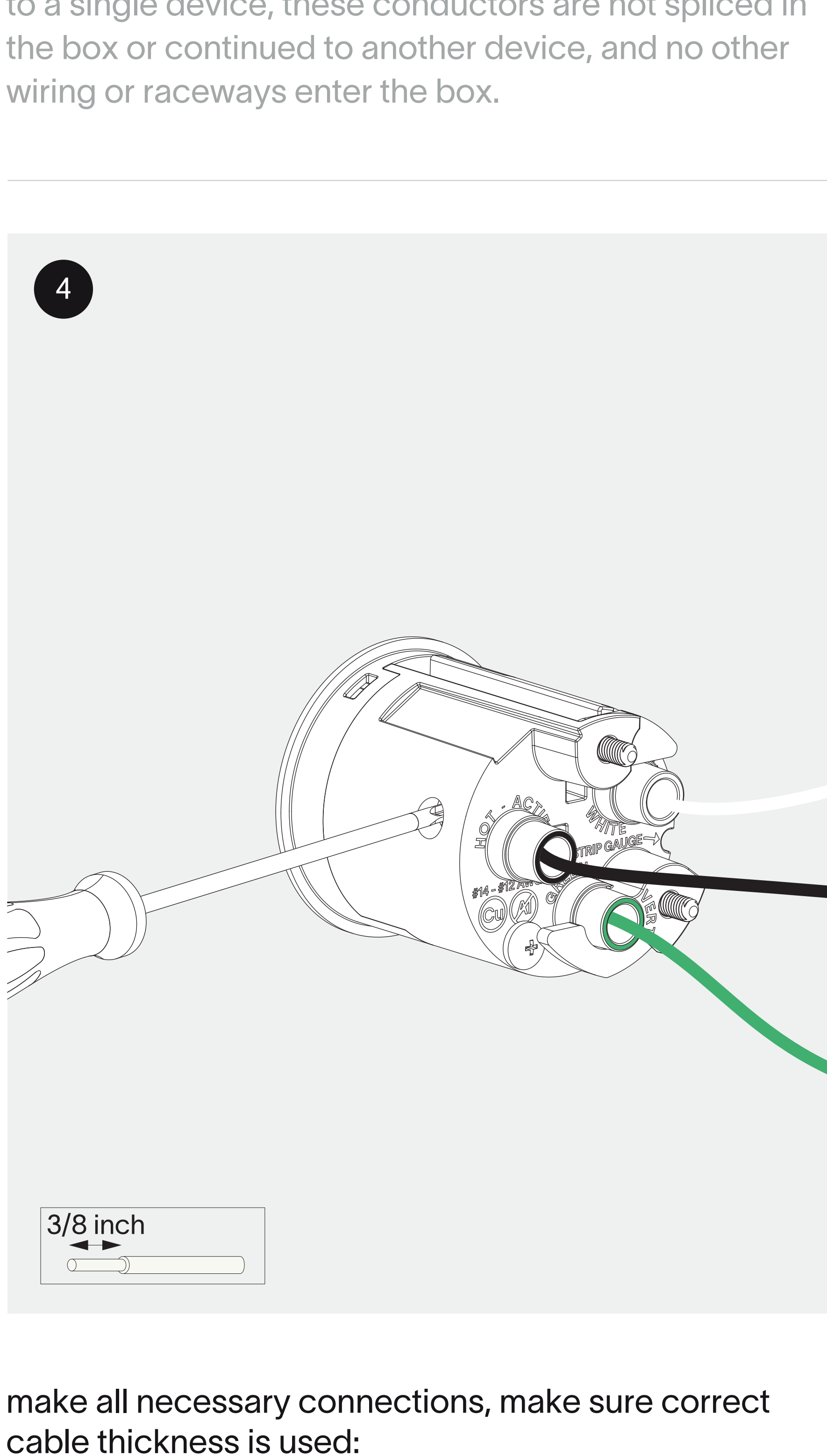
Ø1-1/2"

Ø1-3/8"

1/10"

drill the installation hole

3

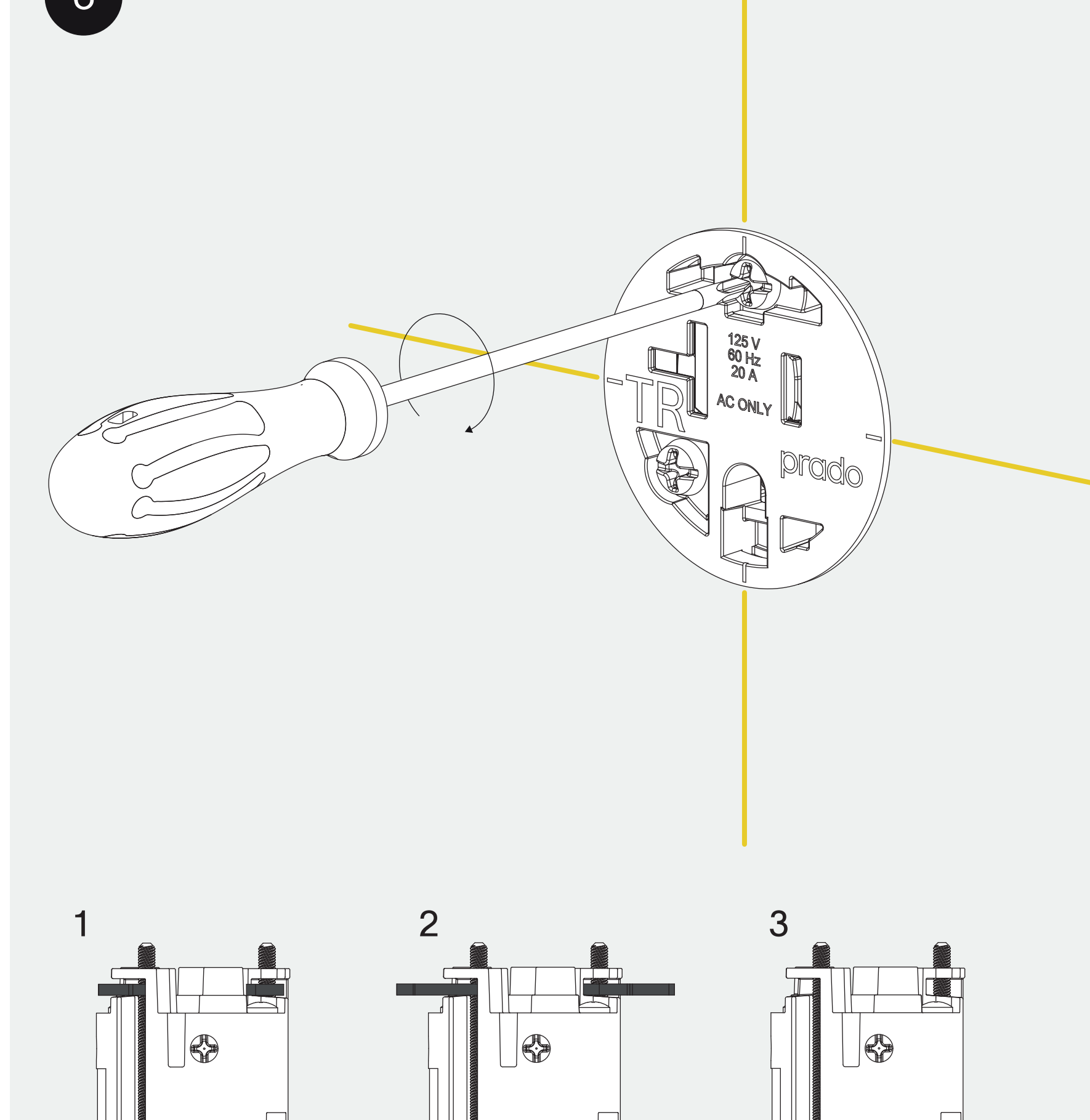


POWER
OFF

Turn the power off.

The branch circuit wiring that supplies each device consists of a separate nonmetallic cable assembly originating outside the box, or individual sets of conductors in a single nonmetallic raceway, all of which originate outside the box. Other than the connections to a single device, these conductors are not spliced in the box or continued to another device, and no other wiring or raceways enter the box.

4

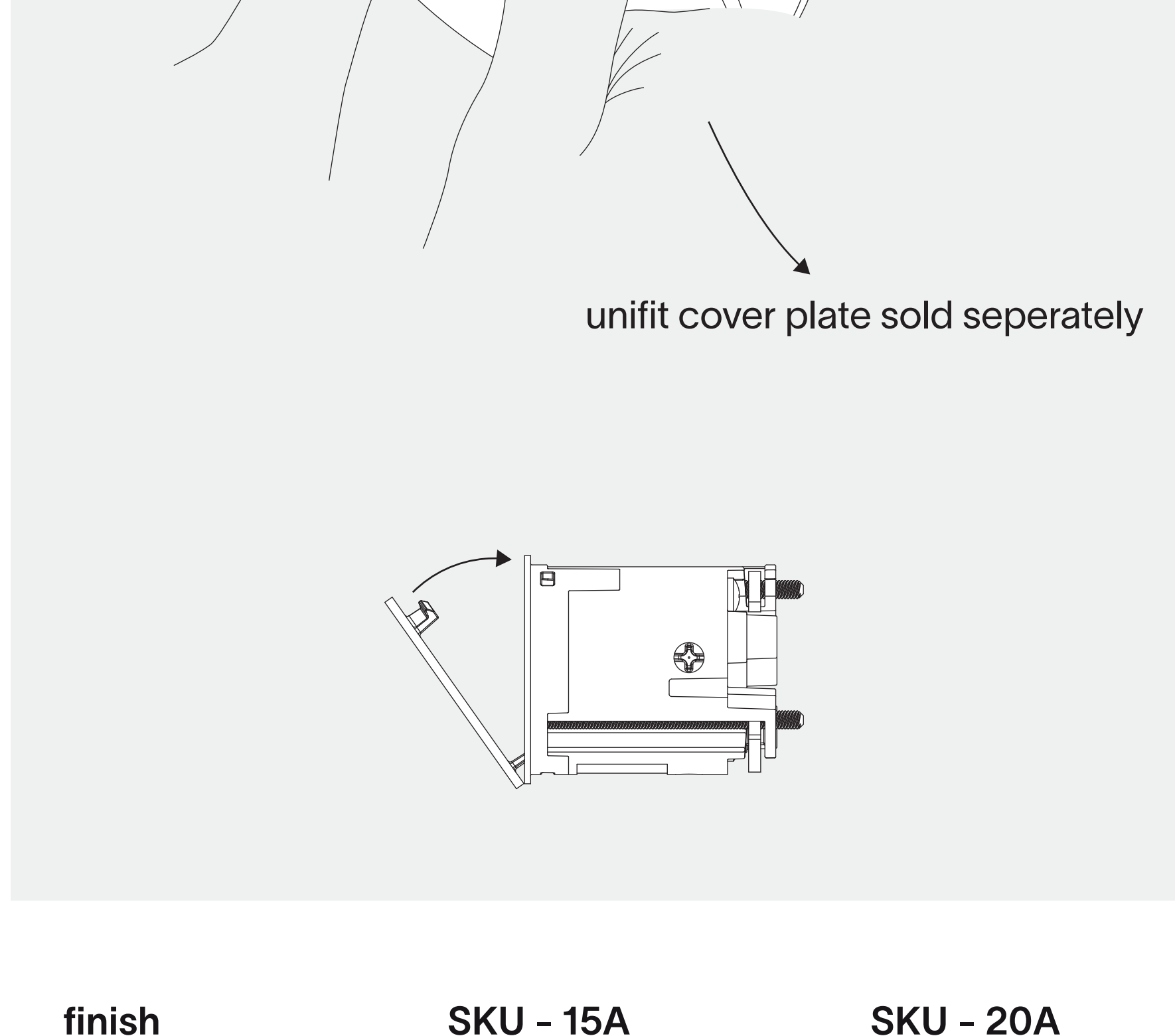


3/8 inch

make all necessary connections, make sure correct cable thickness is used:

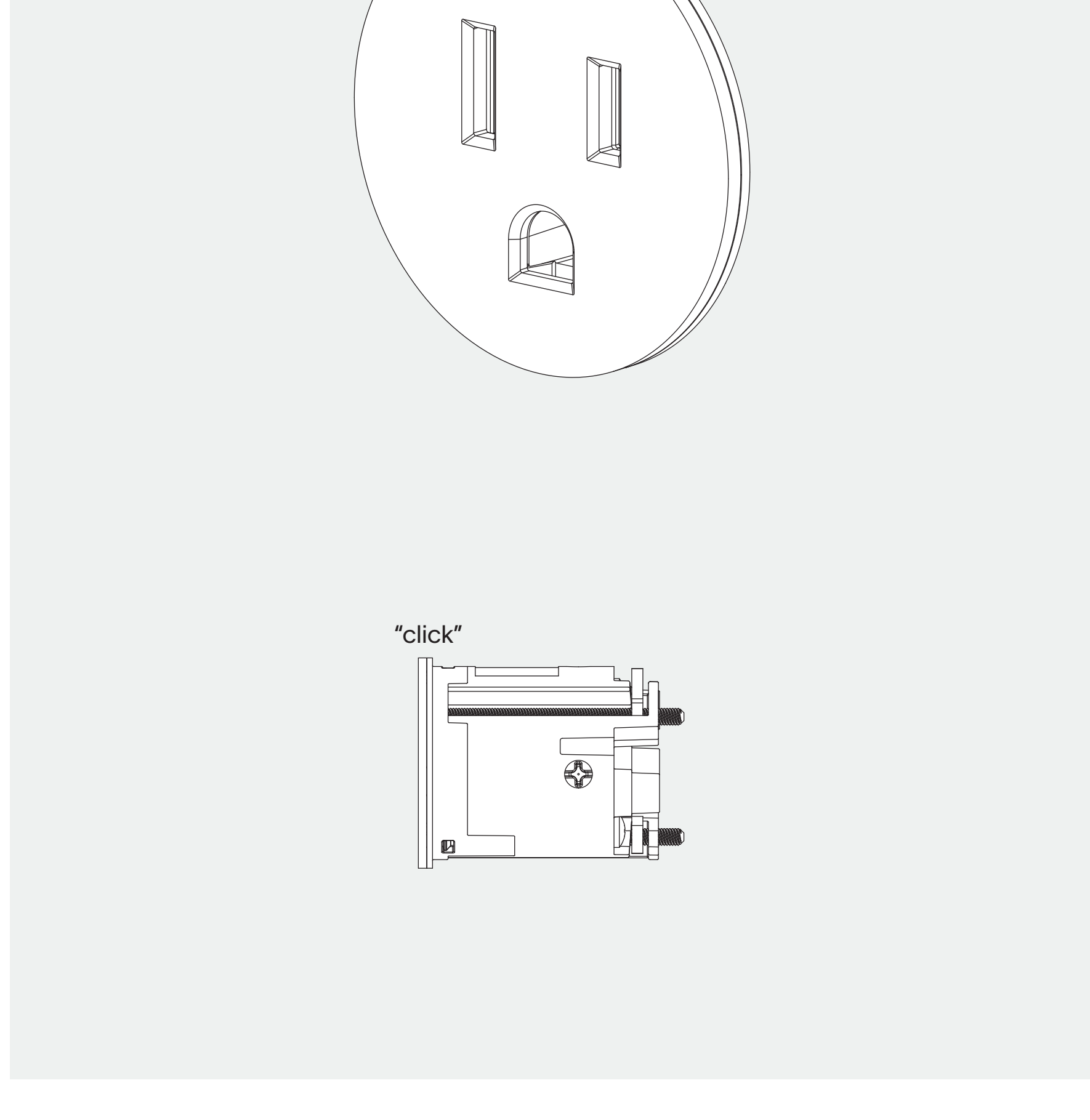
- 15A - 14 AWG
- 20A - 12 AWG

5



insert the outlet in the hole

6



1

2

3

level the outlet and fixate it by tightening the screws

7

unifit cover plate sold separately

"click"

install the cover plate

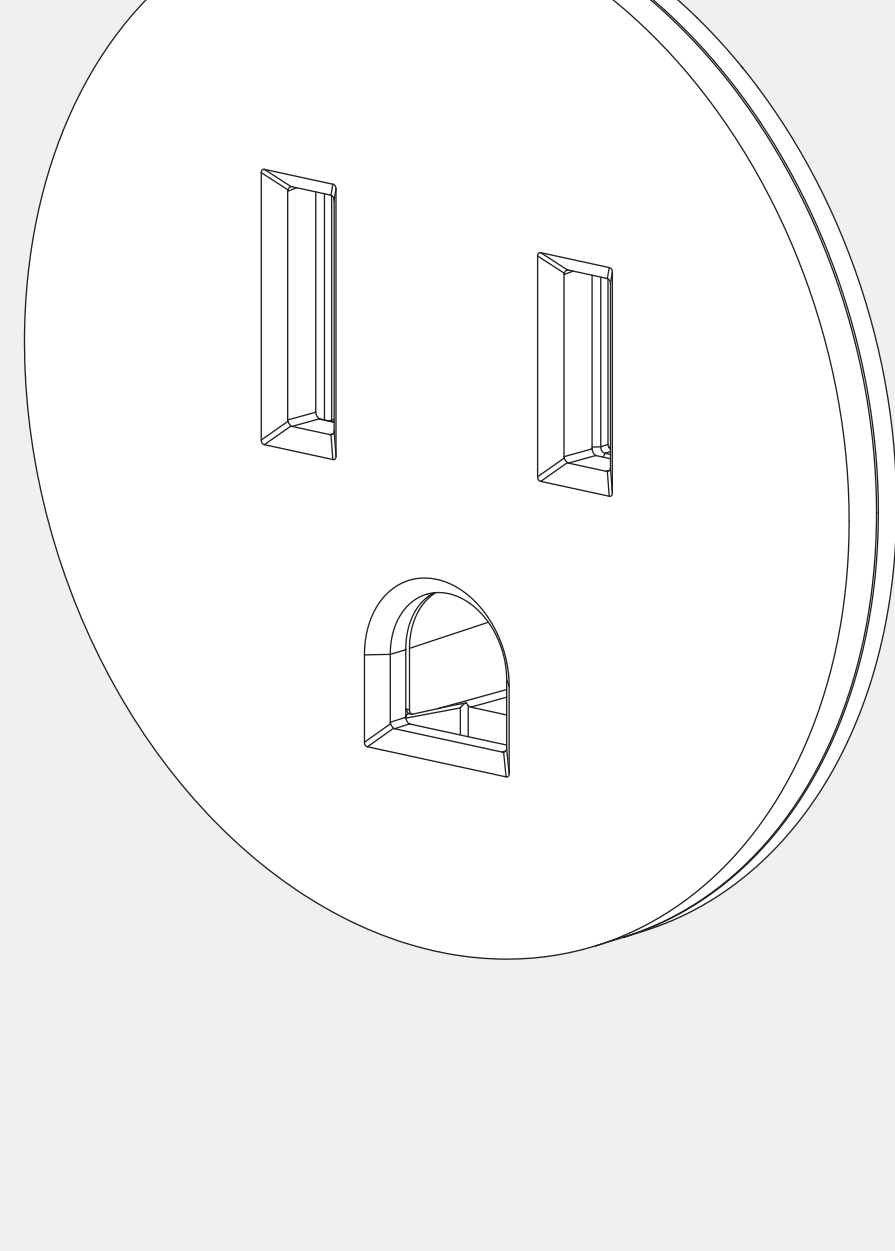
finish	SKU - 15A	SKU - 20A
black	9000-0020	9000-0021
white	9000-0022	9000-0023
sand	9000-0024	9000-0025
clay	9000-0026	9000-0027

8

"click"

install the cover plate

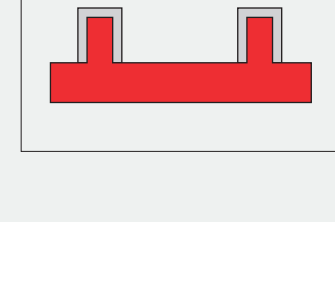
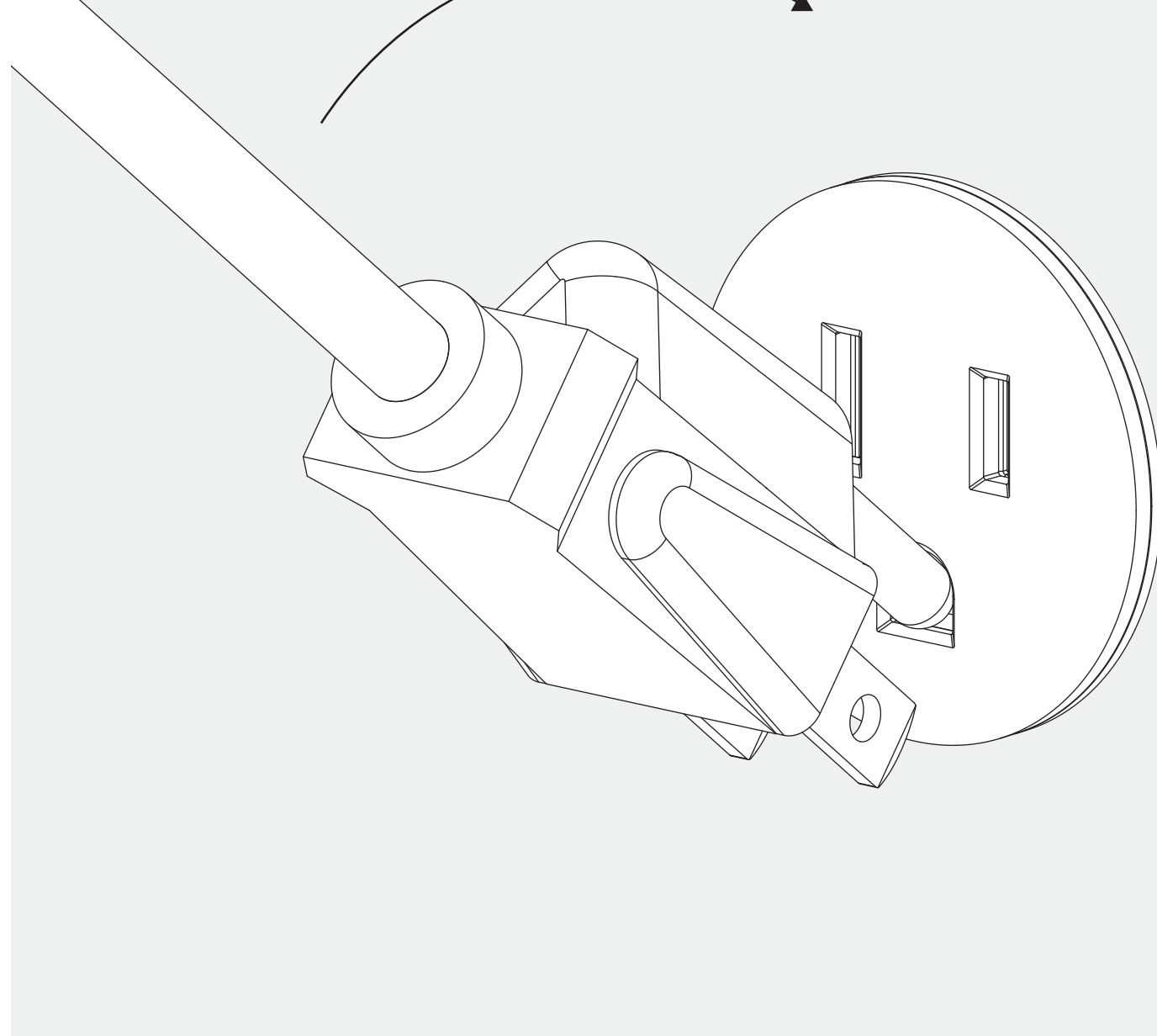
9



turn the power on

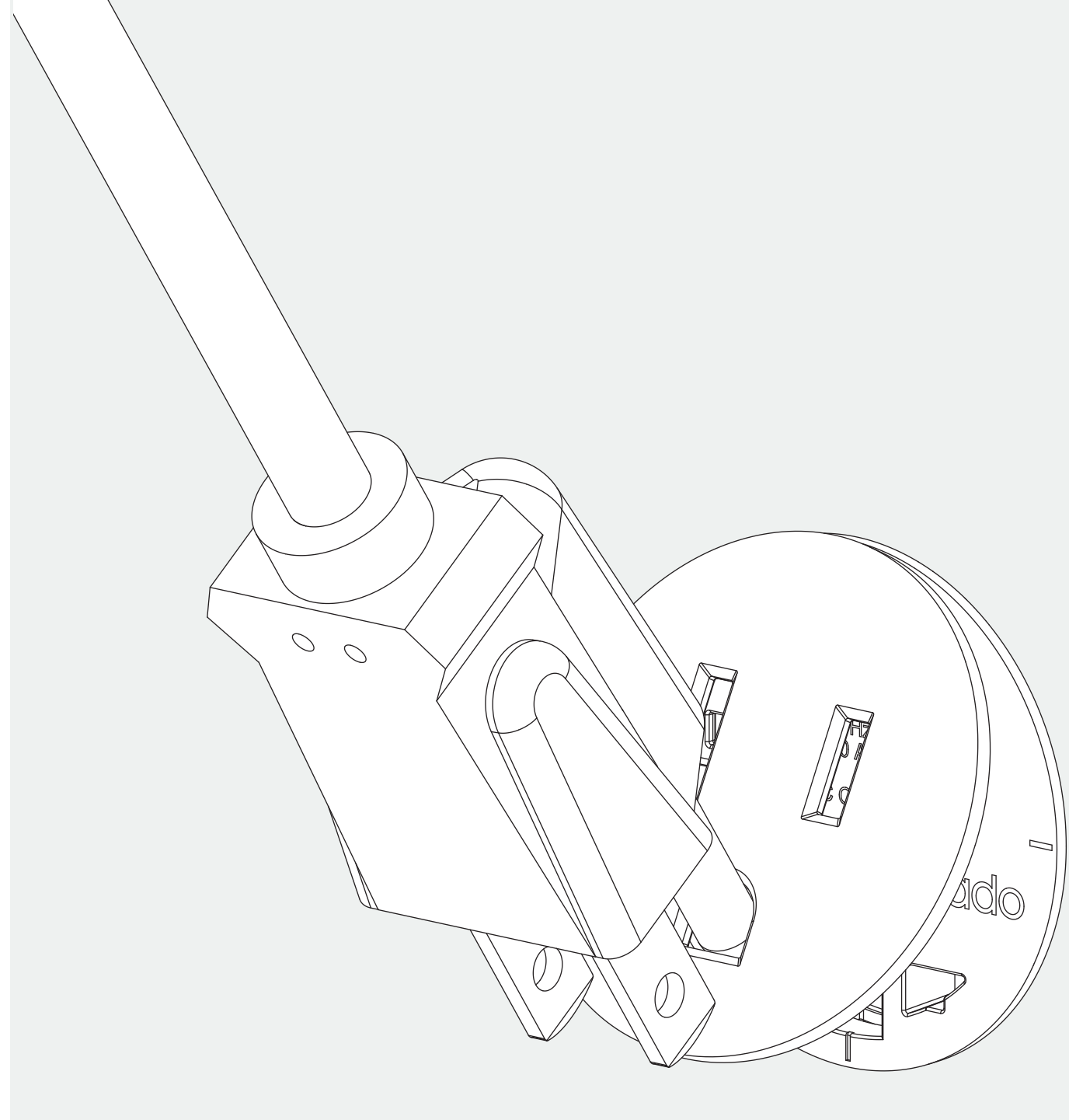
for removal

1



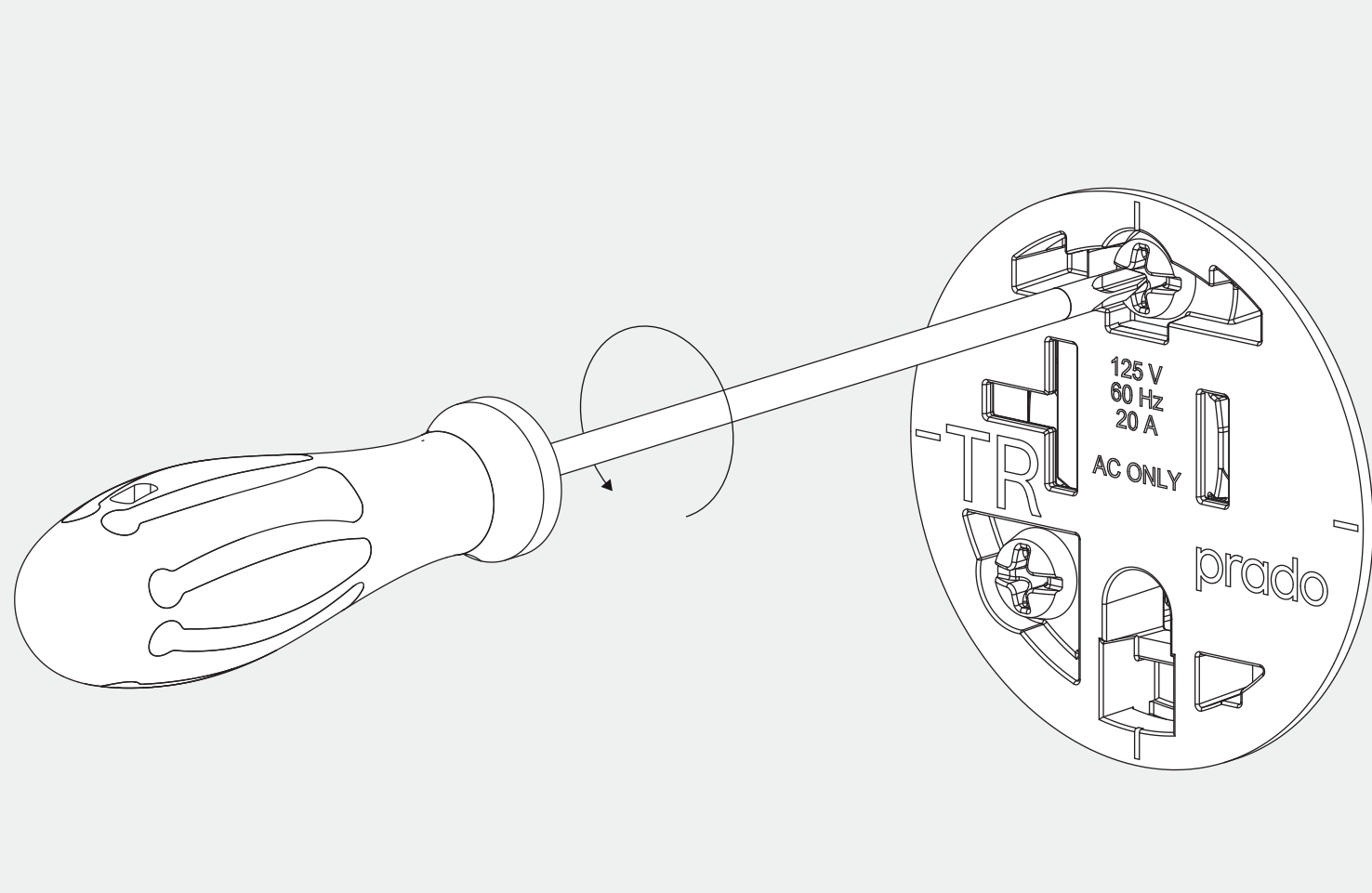
turn the power off before removing the outlet

2



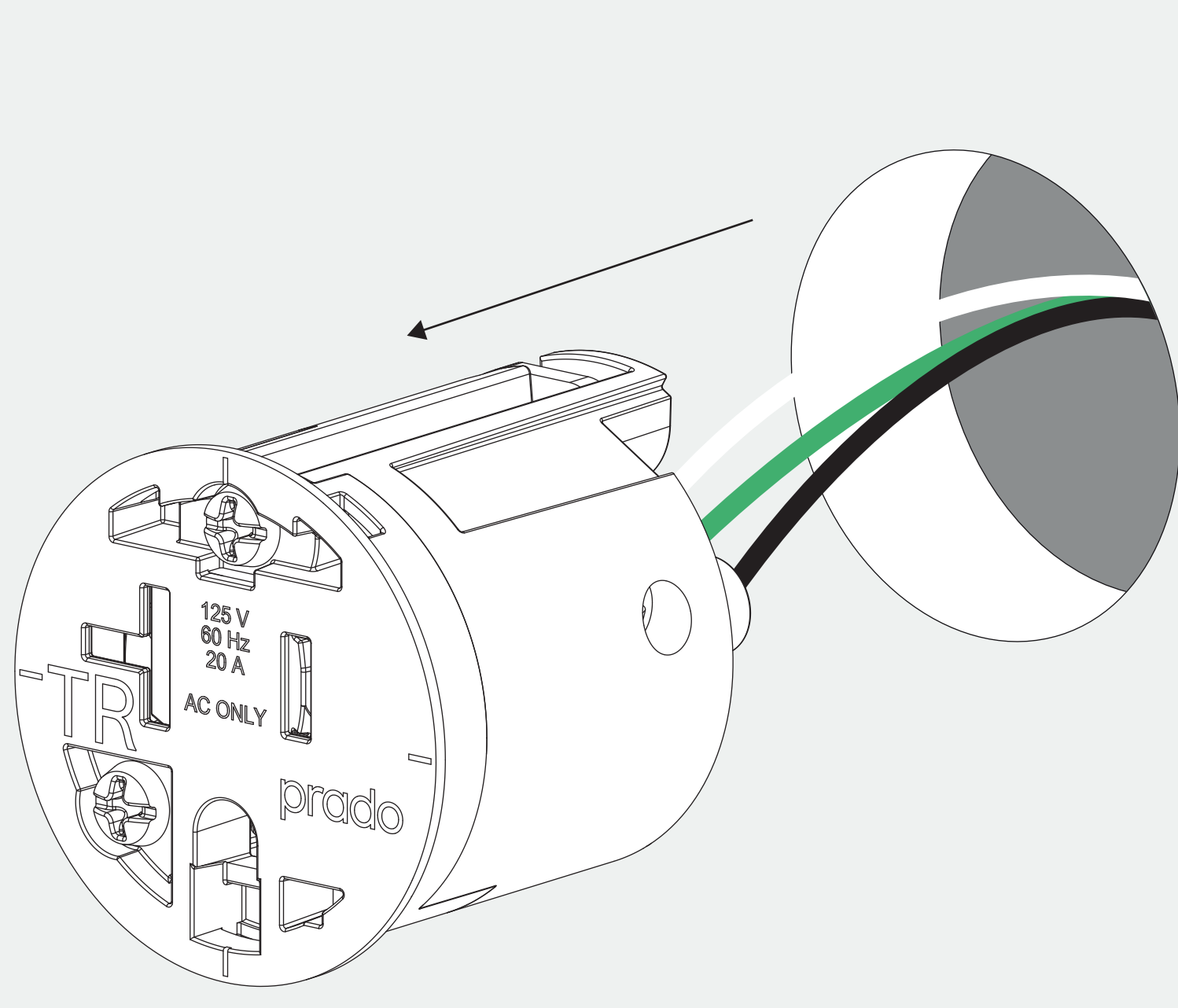
click off the cover plate using a plug

3



loosen the screws

4



remove the outlet

thank you for choosing prado



Intertek

5029983

CONFORMS TO UL STD. 498

CERTIFIED TO CSA STD. C22.2#42

prado.com

support@prado.com - Prado America LLC

Installation must be done by skilled professionals only and instructions must be followed at all times. Warranty will not apply in case of wrongful use of if unskilled personnel attempts to repair a product.