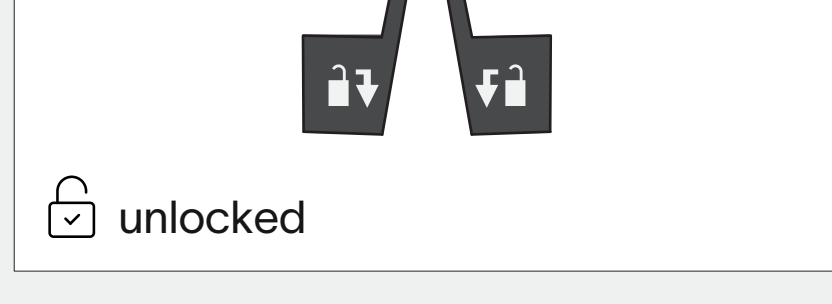
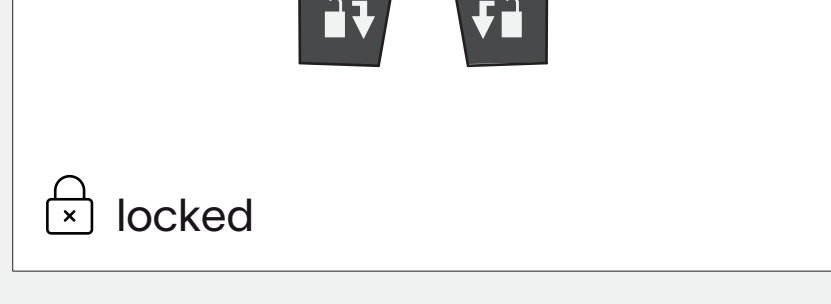
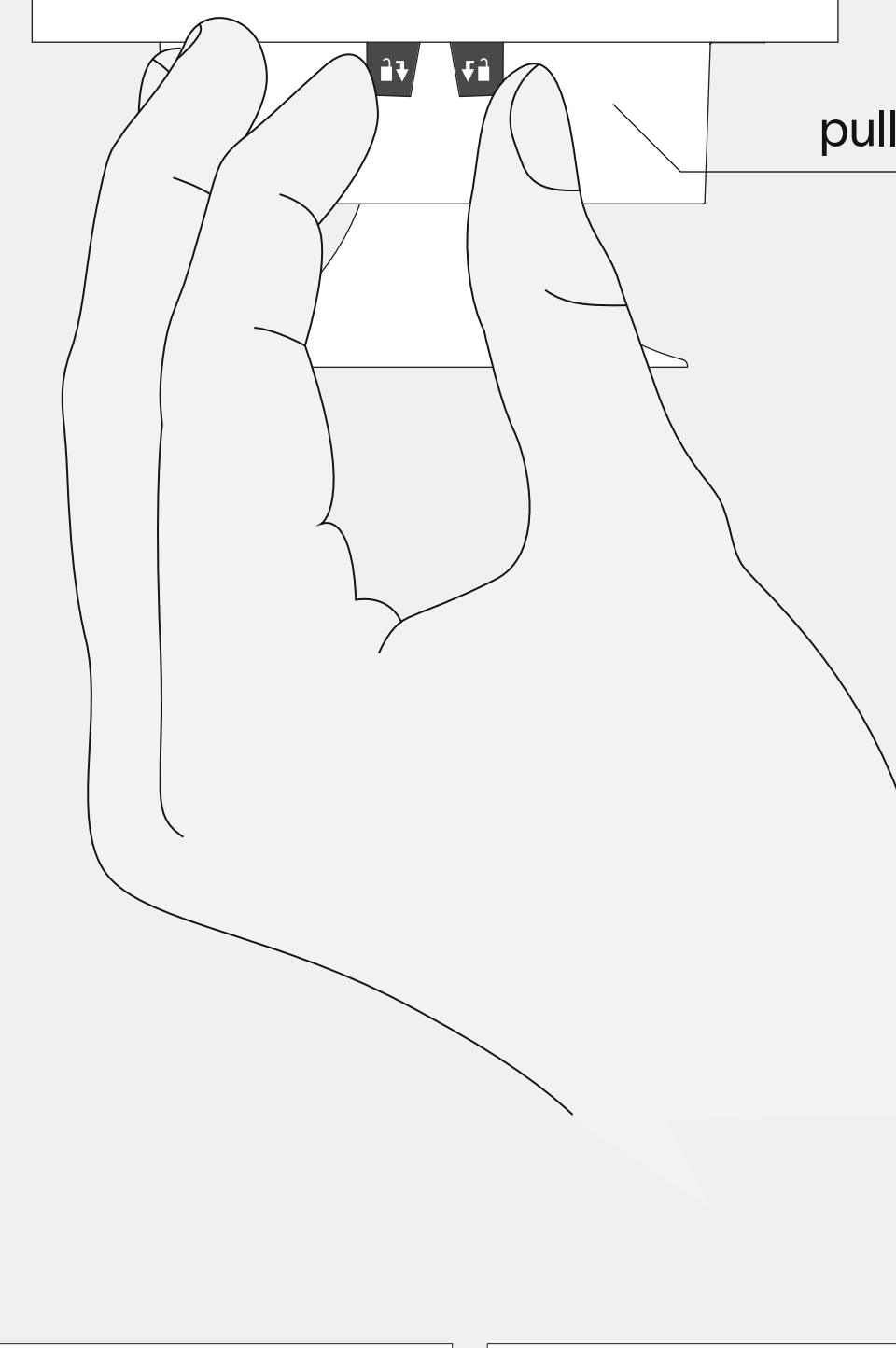


pradovent Ø4-1/4"

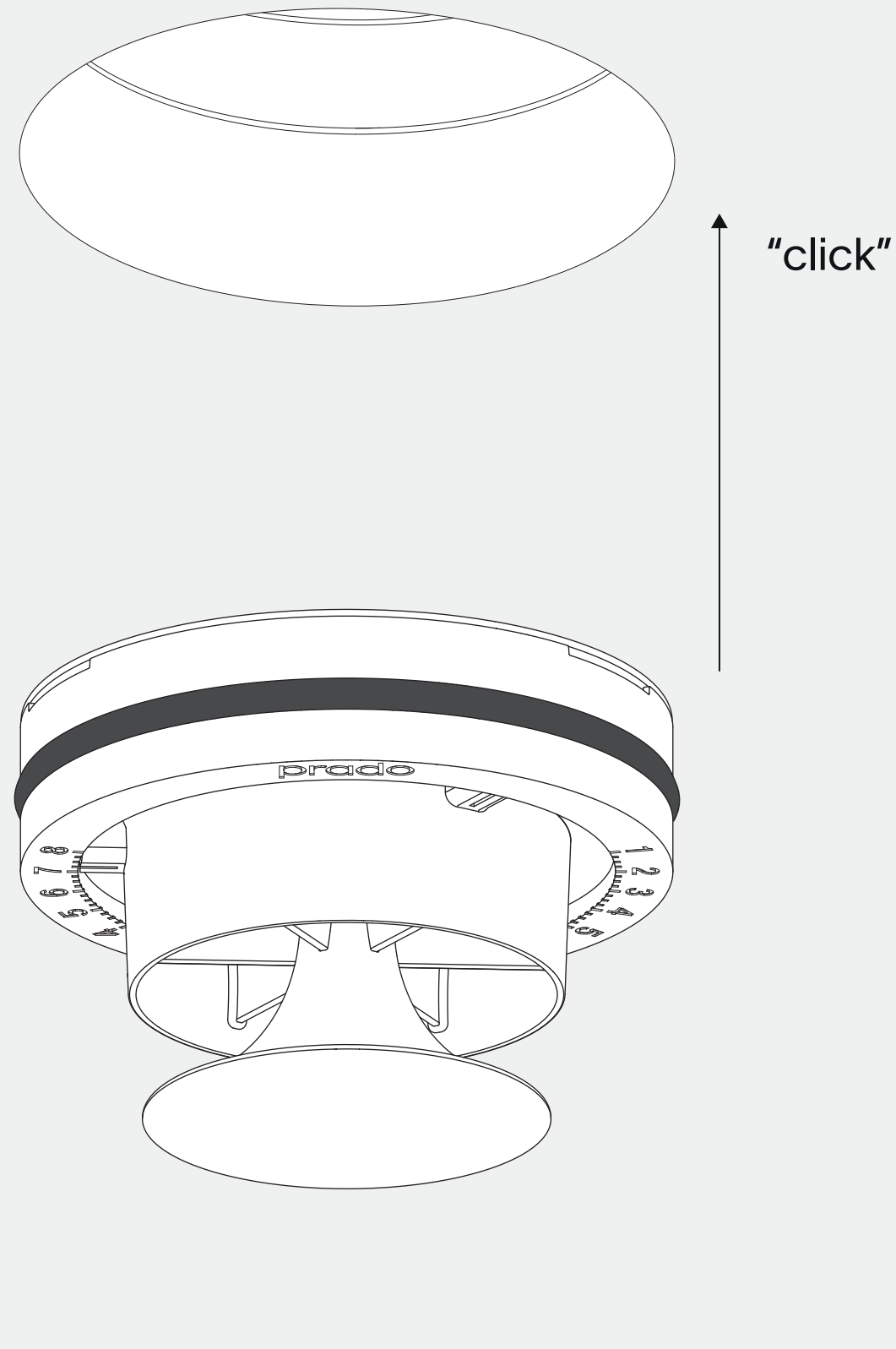
installation instruction

1



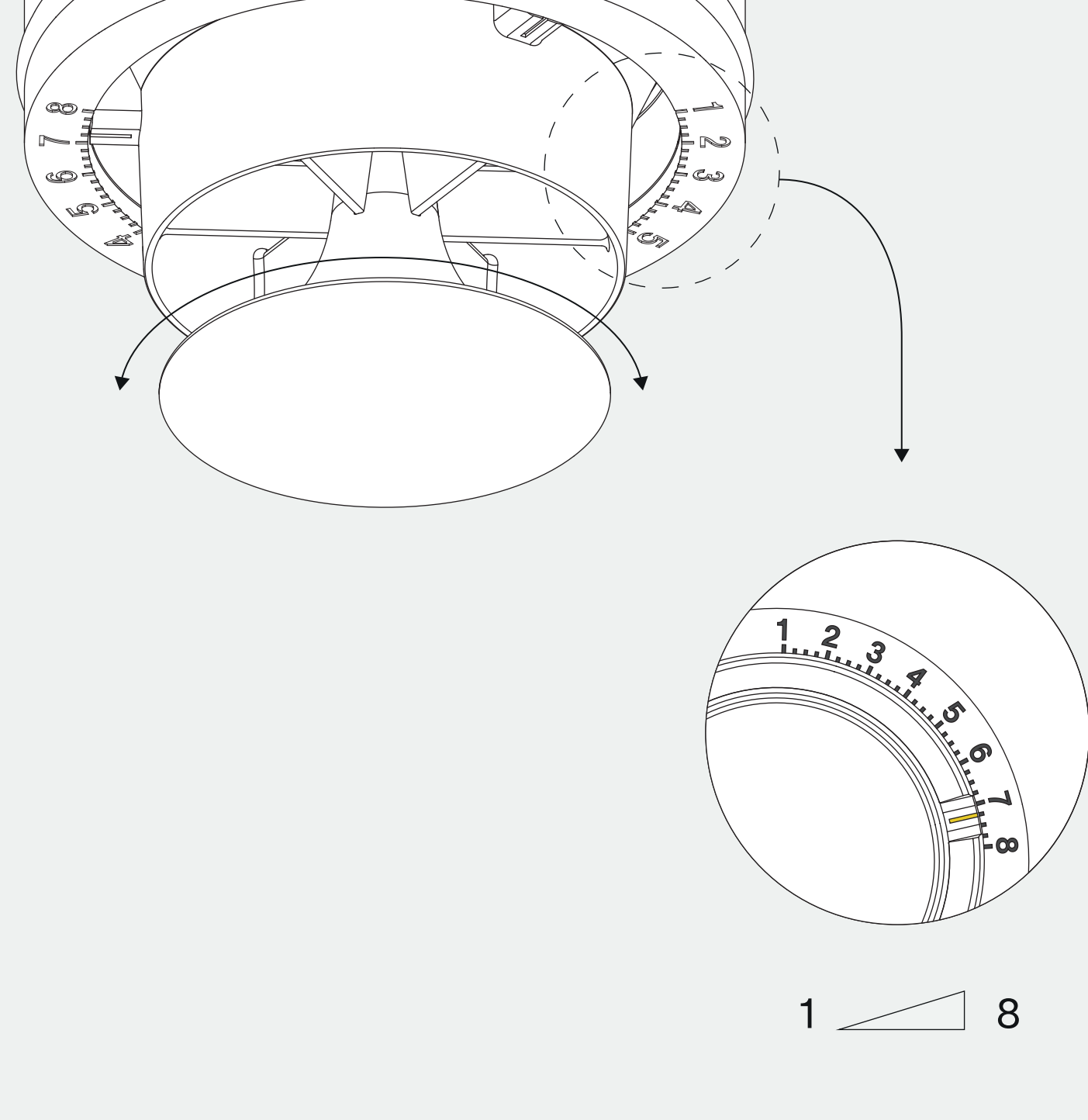
gently pull the lock out before adjusting the air flow

2



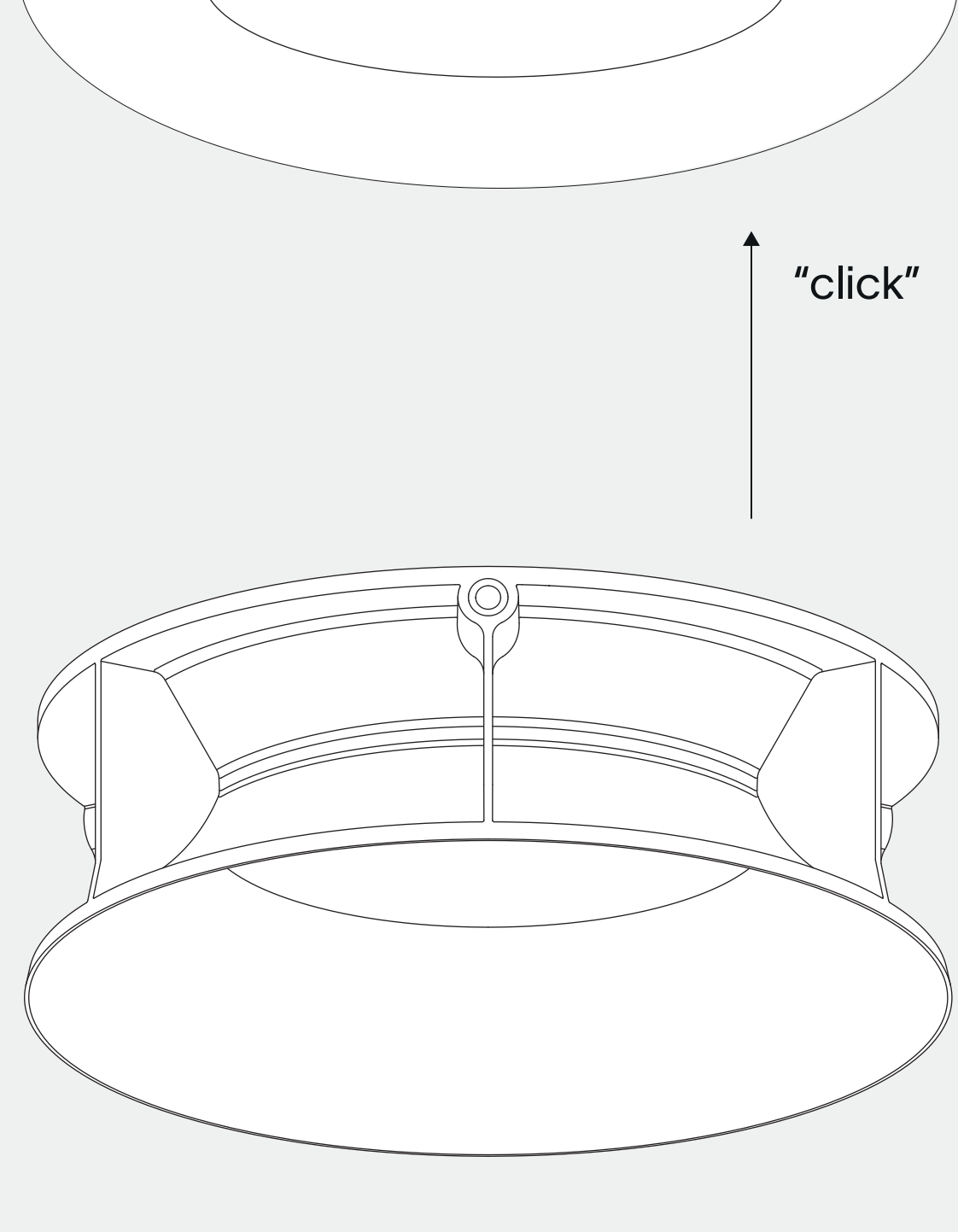
insert the valve into the installation ring until it "clicks"

3



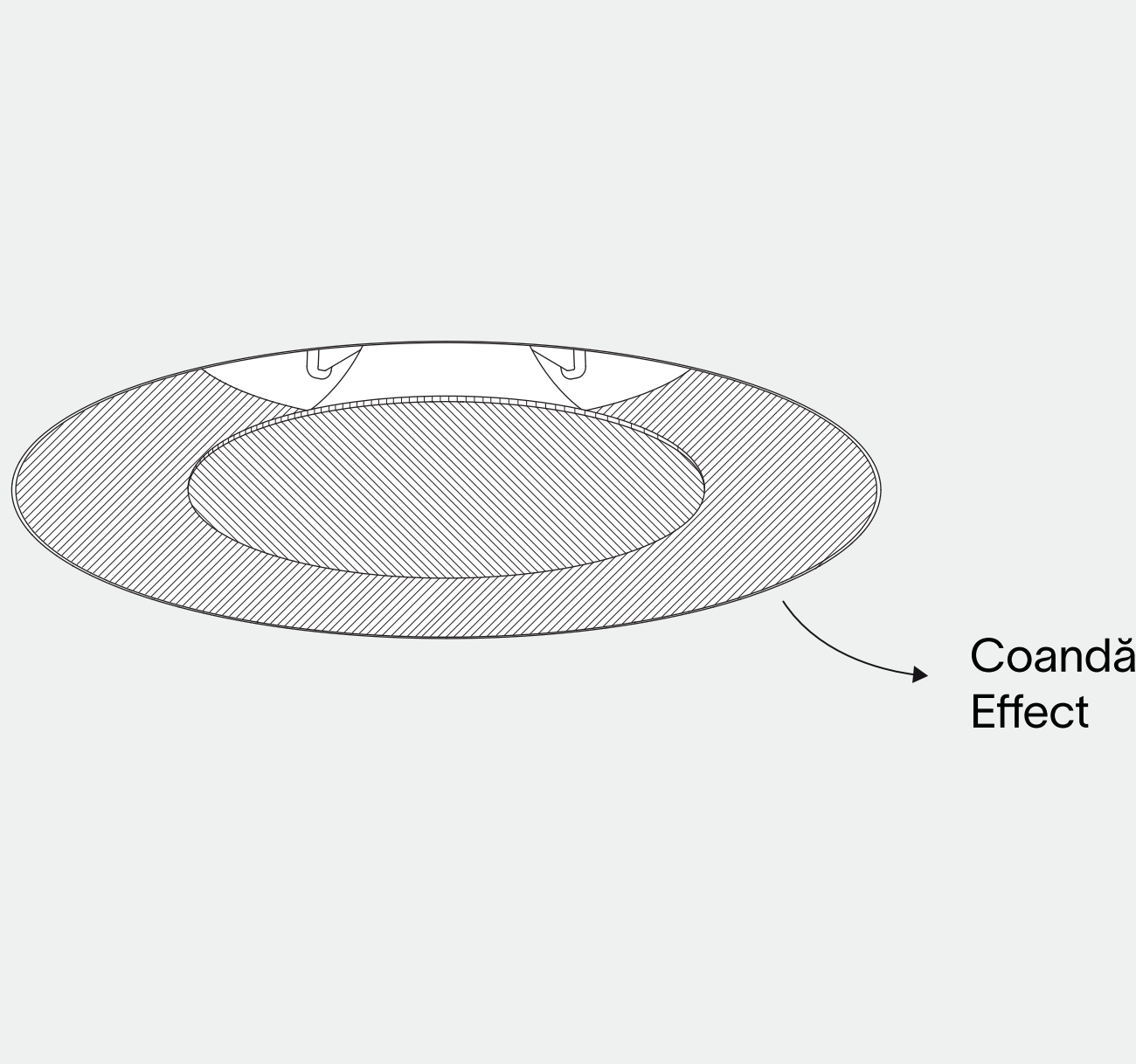
twist the luminaire to adjust the ventilation flow level

4



insert the design ring to lock the ventilation valve

5



 paintable with synthetic primer

maintenance: clean and replace the filters of your ventilation system regularly to keep your ceiling clean

thank you for choosing prado