

unifit outlet | single

Adjusts to different plate thicknesses.

Self-contained, hardwired or corded.

Fits in drywall, without mudding.

Always removable, without tool.



unifit outlet | single

self-contained 4

hardwired 5

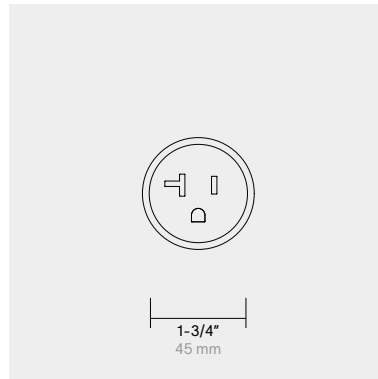
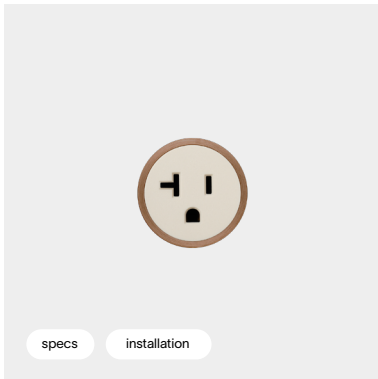
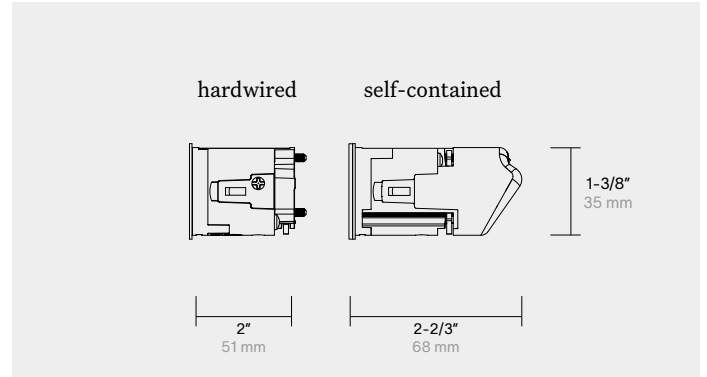
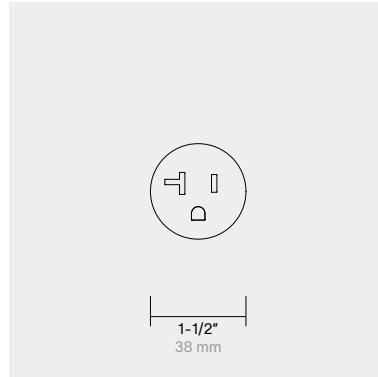
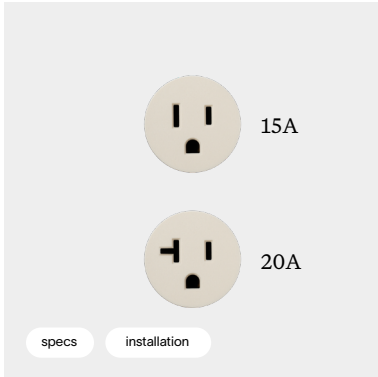
corded 7

cut-out details 8

material thickness 9

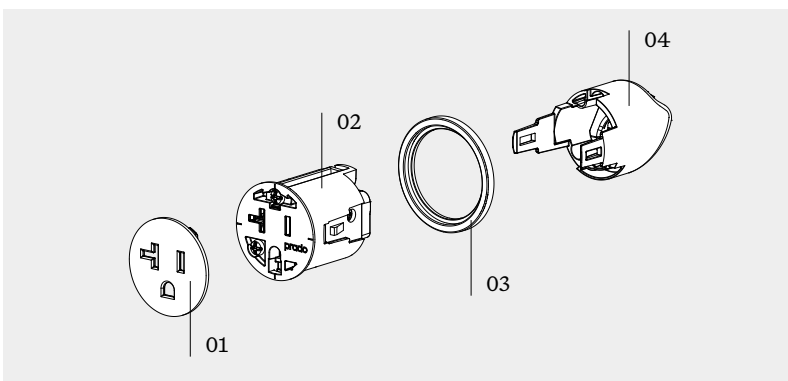
unifit outlet | single - hardwired / self-contained

dimensions



installation hole	Ø1-3/8" (Ø35 mm)
outlet depth	hardwired - 2" (51 mm) self-contained - 2-2/3" (68 mm)
visible diameter	Ø1-1/2" (Ø38 mm)
small trim ring thickness	5/32" (4 mm)

exploded view

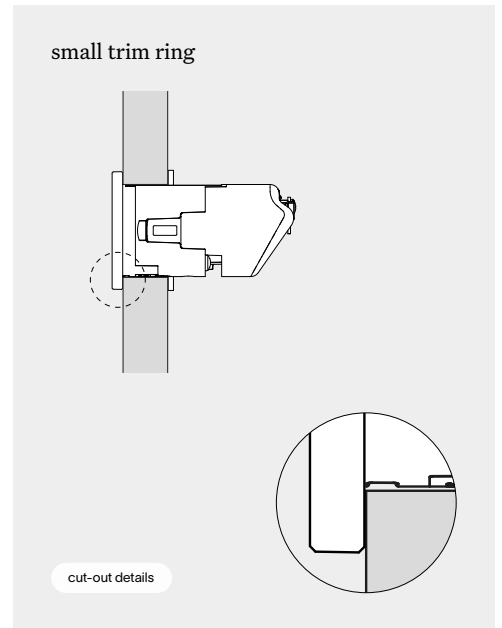
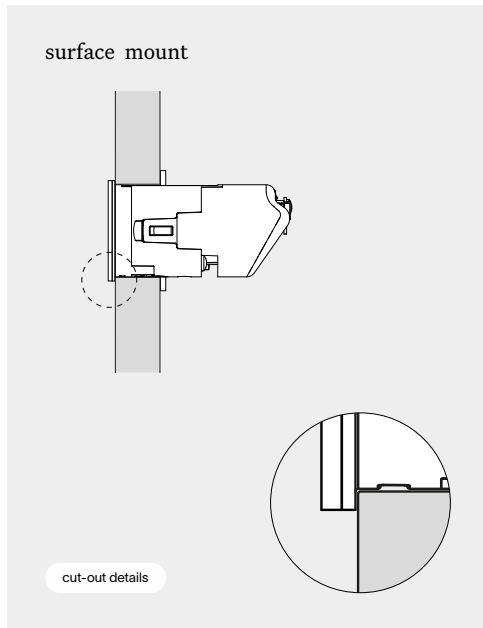
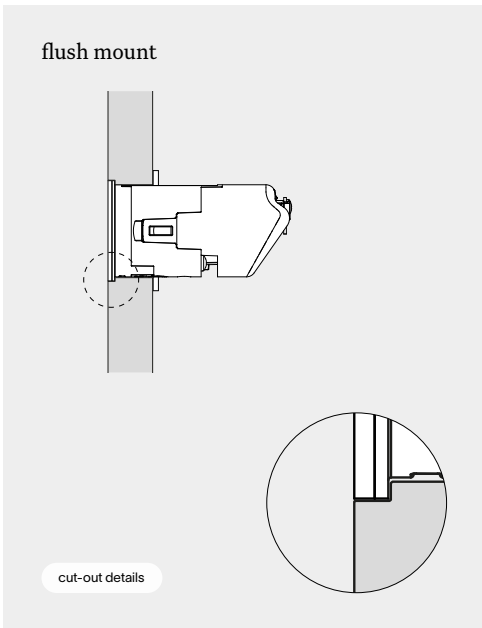
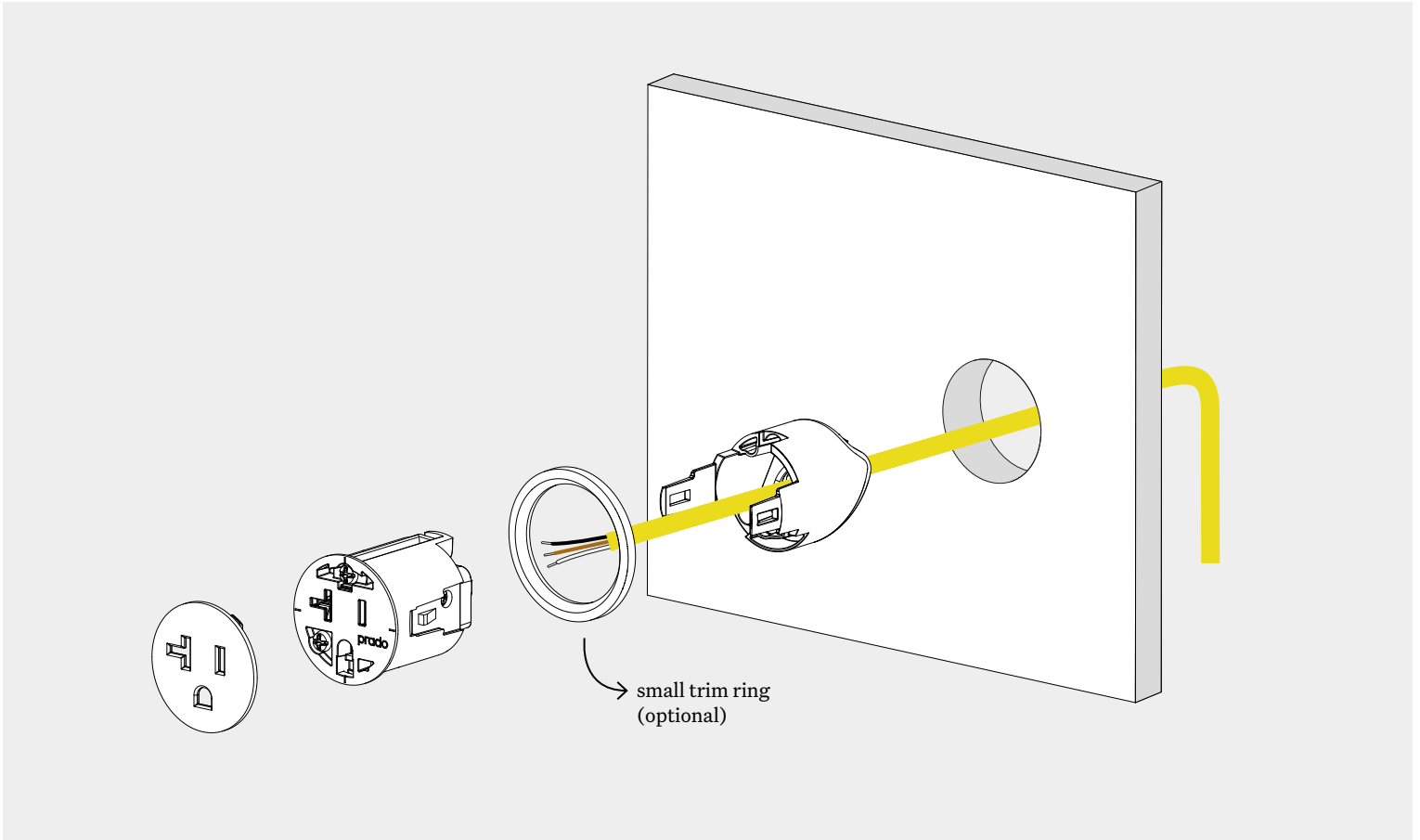


01	cover plate
02	unifit outlet single - hardwired
03	small trim ring (optional)
04	self-contained cap (optional)

unifit outlet | single - self-contained installation

installation

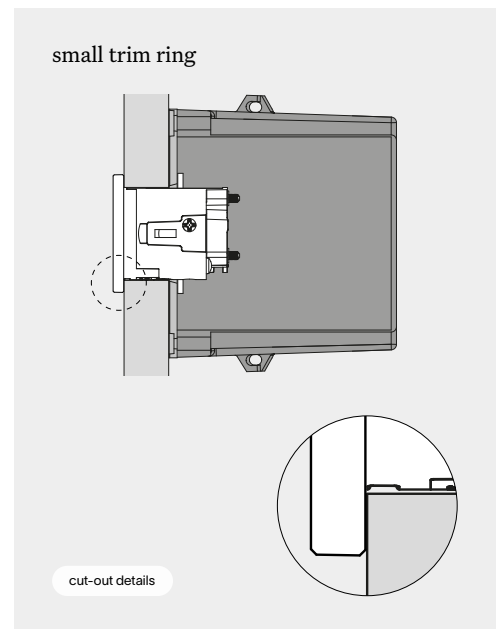
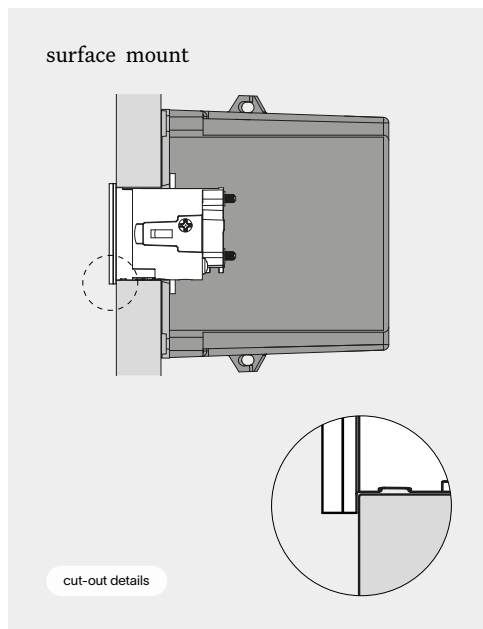
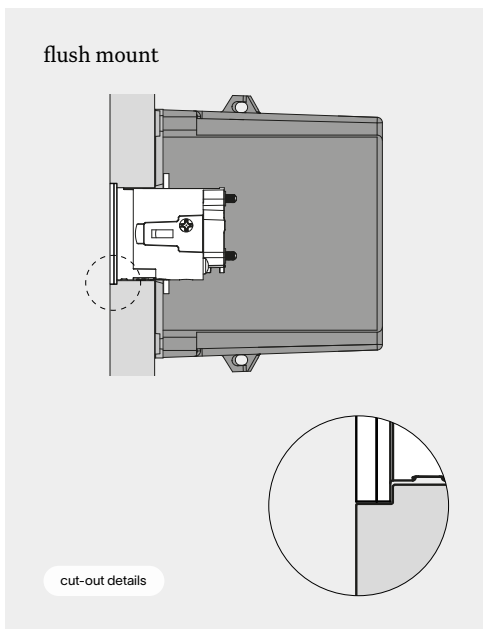
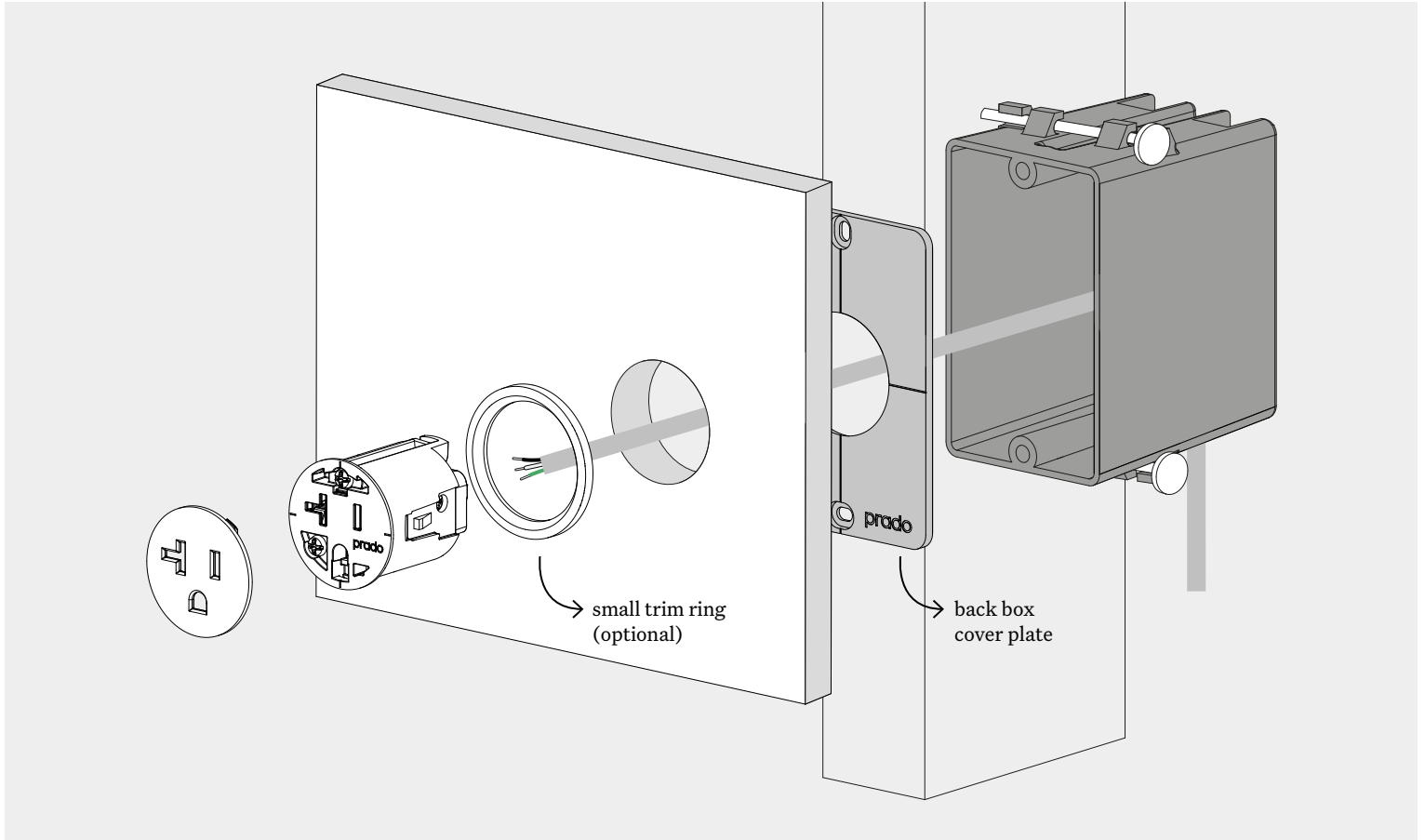
installation with self-contained cap, no back box required



unifit outlet | single - hardwired installation

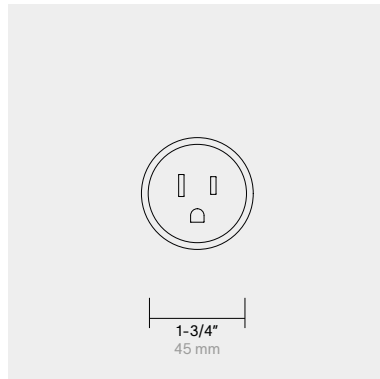
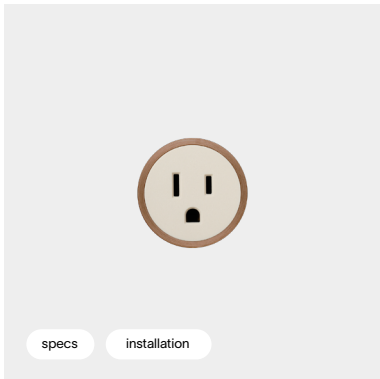
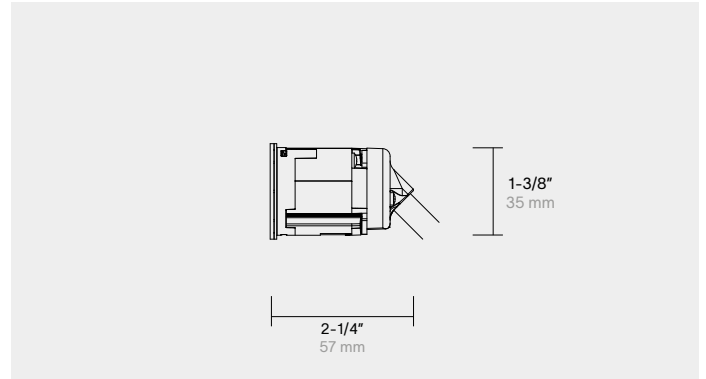
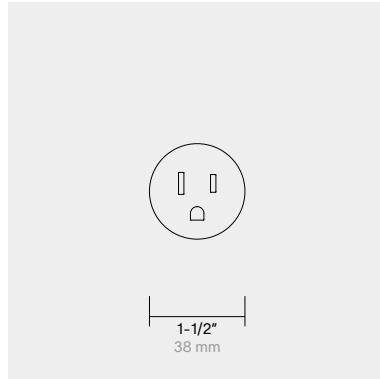
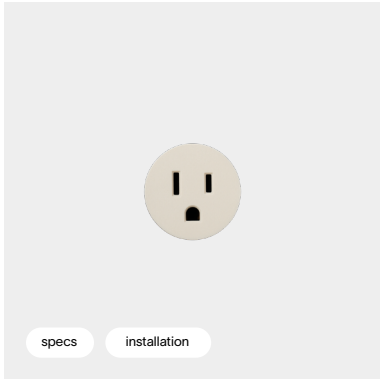
installation

installation with back box + back box cover plate



unifit outlet | single - corded

dimensions



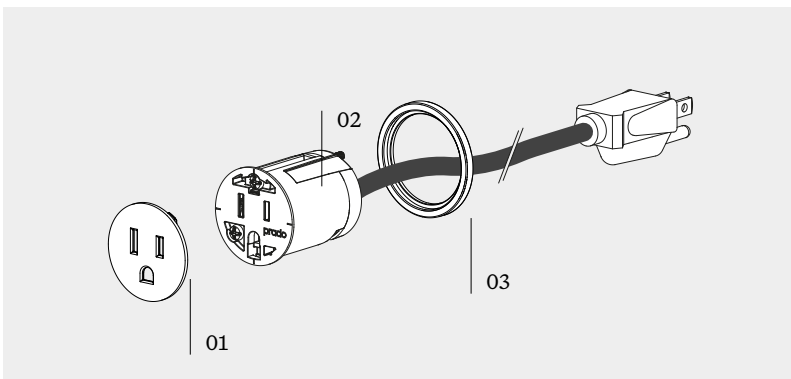
installation hole $\varnothing 1\text{-}3/8"$ ($\varnothing 35$ mm)

outlet length $2\text{-}1/4"$ (57 mm)

visible diameter $\varnothing 1\text{-}1/2"$ ($\varnothing 38$ mm)

small trim ring thickness $5/32"$ (4 mm)

exploded view

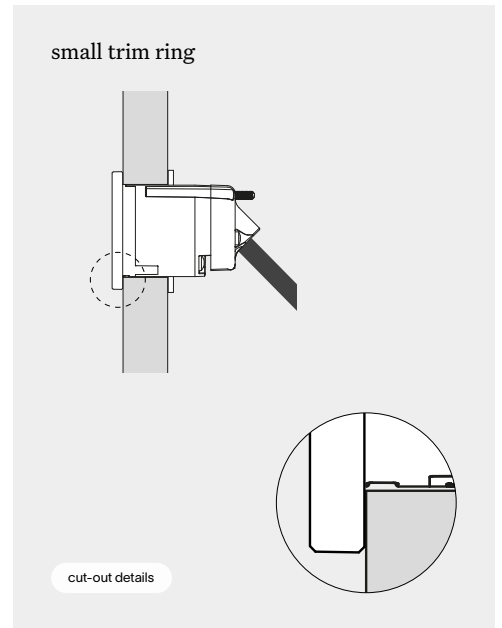
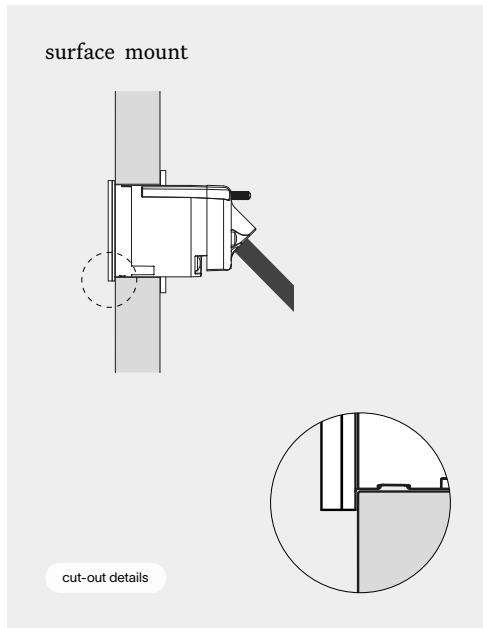
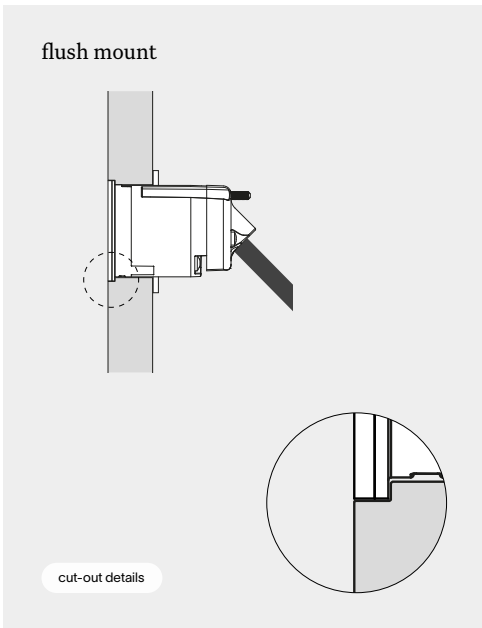
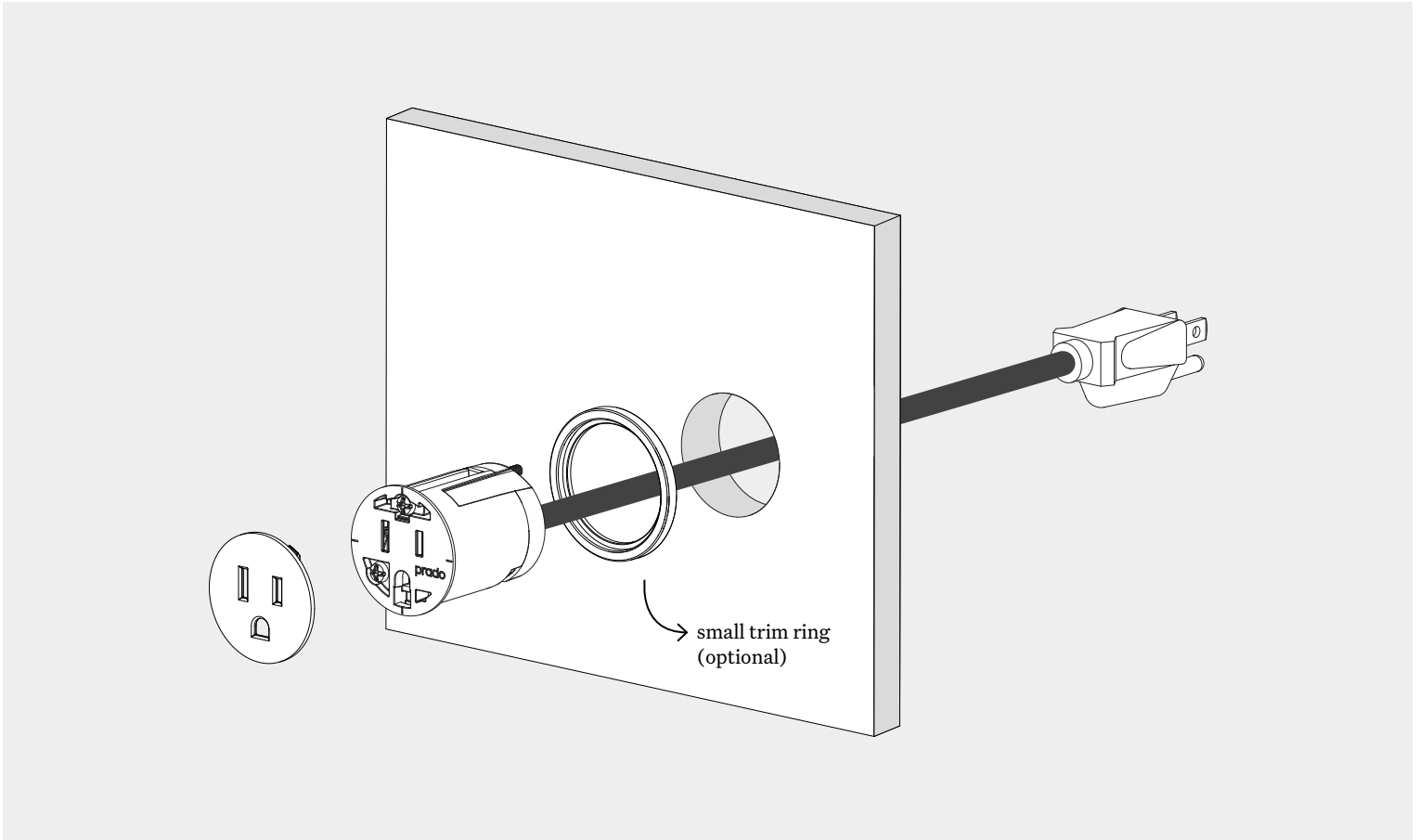


- 01 cover plate
- 02 unifit outlet | single - corded
- 03 small trim ring (optional)

unifit outlet | single - corded installation

installation

installation in furniture



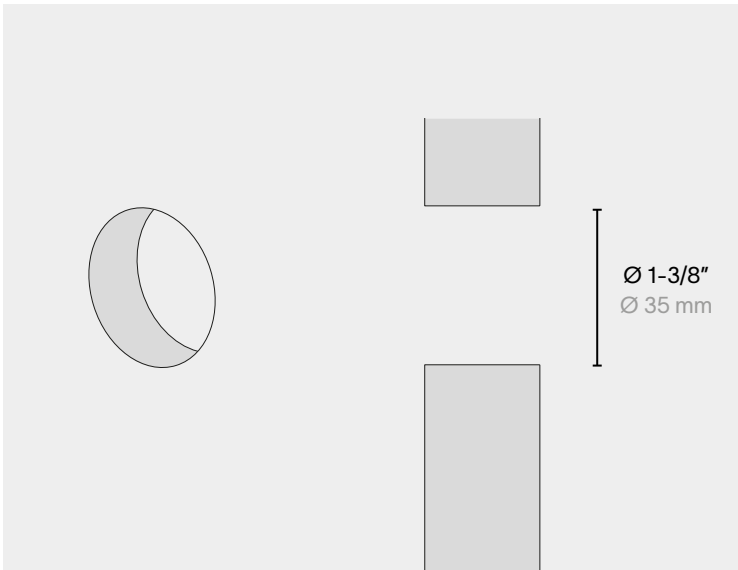
unifit outlet | single - cut-out details

the unifit single outlet can be installed in four different ways:

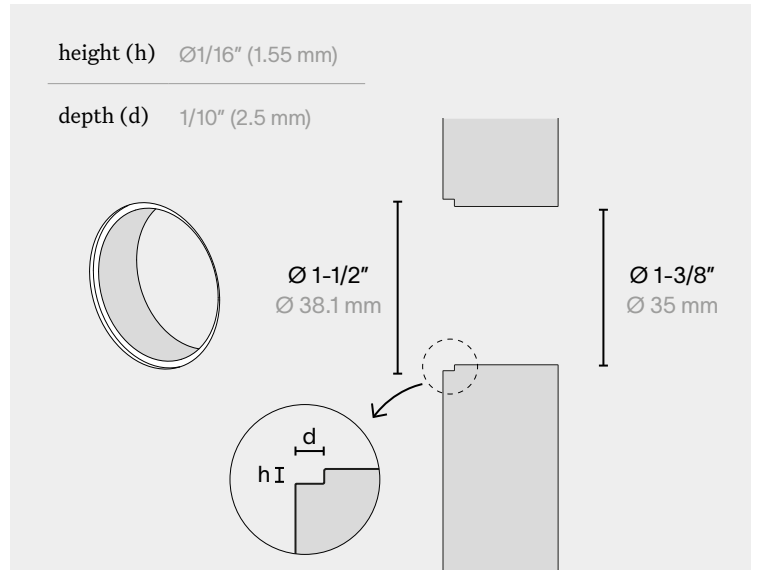
flush mount, flush mount with a small trim ring, surface mount, or surface mount with a small trim ring

flush-mount

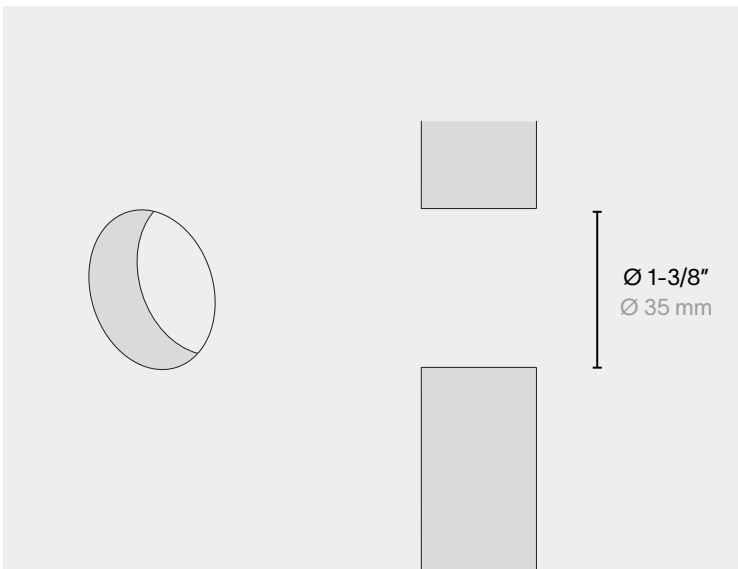
surface mount



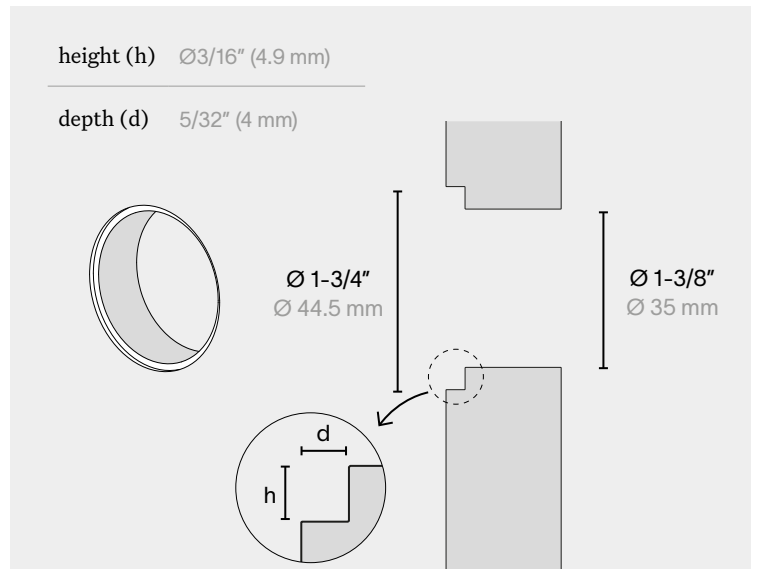
flush mount



surface mount with optional small trim ring



flush mount with optional small trim ring

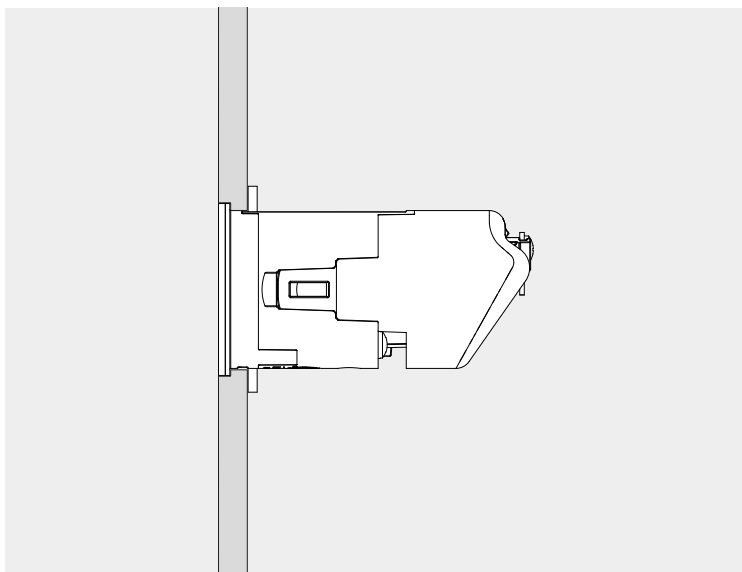


material thickness

the unifit outlet can be installed in materials with a thickness ranging from as thin as 1/4" up to 1-3/8".

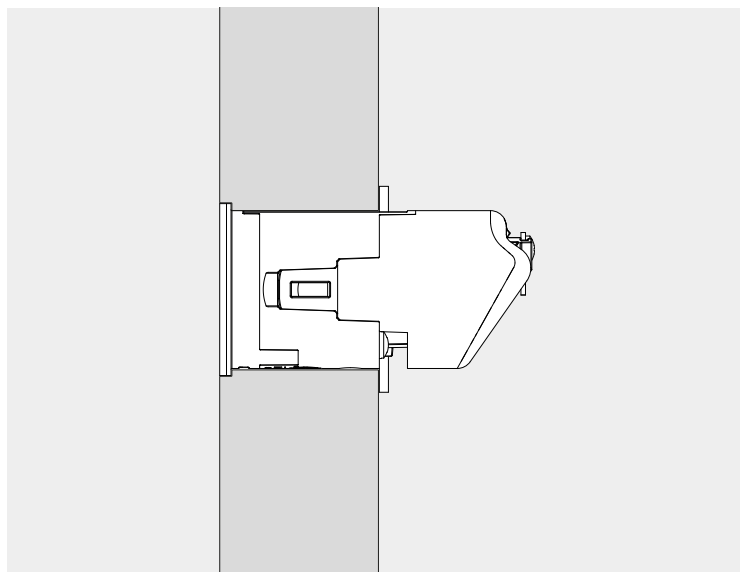
min. thickness 1/4" (6.4 mm) for surface mount

min. thickness 11/32" (8.7 mm) for flush mount

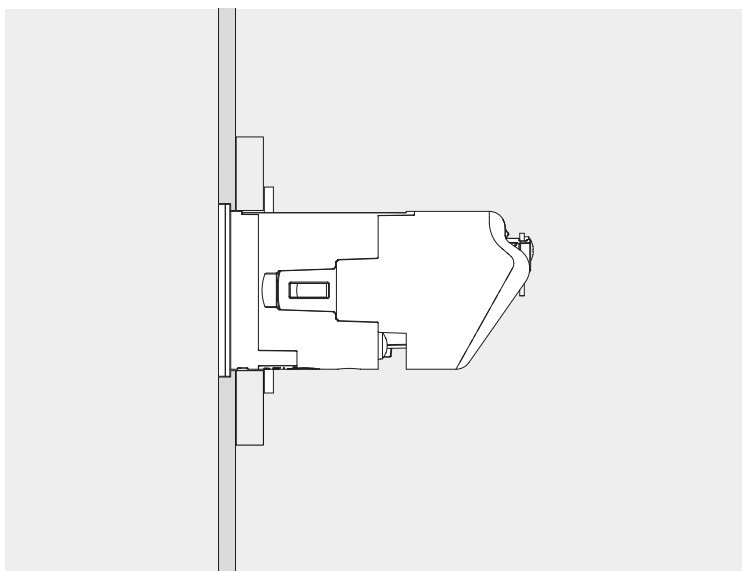


max. thickness 1-3/8" (35 mm) for surface mount

max. thickness 1-1/2" (38.1 mm) for flush mount

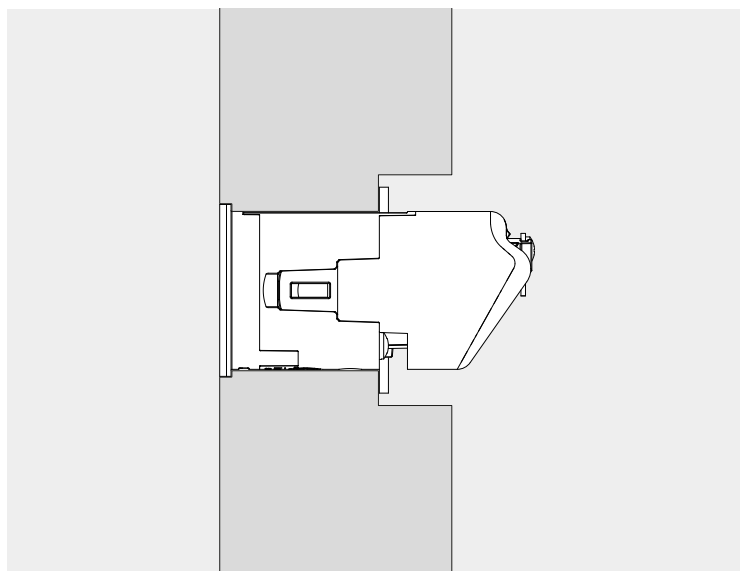


if less



If the finish material thickness is less than required, add a (wooden) plate to achieve the correct depth.

if more



If the finish material thickness is more than required, machine down the material to achieve the correct depth.